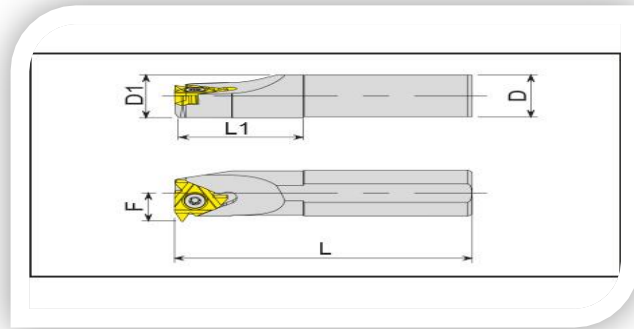


Turning toolholders internal



Unit mm

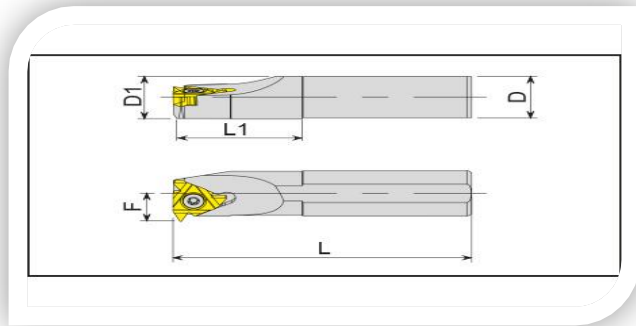
Application	Insert	Order code	Part code	Dimensions							Master insert	PRICE
				dm	h	b	l1	f1	Dmin			
95°	06	I140.10.100.11.1	S10J STIR 11	10	9	9	100	7,4	-	IR 11	19,00 EUR	
		I140.12.125.11.1	S12K STIR 11	12	11	11	125	8,4	-	IR 11	25,00 EUR	
		I140.16.150.16.1	S16Q STIR 16	16	15	15	150	13,4	-	IR 16	28,00 EUR	
	08	I140.20.170.16.1	S20R STIR 16	20	18	18	170	13,7	-	IR 16	36,00 EUR	
		I140.25.250.16.1	S25S STIR 16	25	23	23	250	16,2	-	IR 16	43,00 EUR	
		I140.32.250.16.1	S32T STIR 16	34	30	30	250	19,0	-	IR 16	51,00 EUR	
		I140.40.300.16.1	S40U STIR 16	40	37	37	300	24,0	-	IR 16	63,00 EUR	
	I140.20.170.22.1	S20R STIR 22	20	18	18	170	13,7	-	IR 22	36,00 EUR		
95°		I140.25.250.22.1	S25S STIR 22	25	23	23	250	16,2	-	IR 22	43,00 EUR	
	06	I140.21.250.22.1	S32T STIR 22	32	30	30	250	19,0	-	IR 22	51,00 EUR	
		I140.40.300.22.1	S40U STIR 22	40	37	37	300	24,0	-	IR 22	63,00 EUR	
		I140.50.350.22.1	S50V STIR 22	50	47	47	350	38,0	-	IR 22	78,00 EUR	

Spare parts, parts included in delivery

Designation	Insert Screw	Wrench							
..10	A101.103 (M2.5)	A107.101 (T8)							
..12	A101.103 (M2.5)	A107.101 (T8)							
..16	A101.106 (M3.5)	A107.102 (T15)							
..20	A101.106 (M3.5)	A107.102 (T15)							
..20	A101.107 (M4)	A107.102 (T15)							
..25	A101.106 (M3.5)	A107.102 (T15)							
..25	A101.107 (M4)	A107.102 (T15)							
..32	A101.106 (M3.5)	A107.102 (T15)							
..32	A101.107 (M4)	A107.102 (T15)							

Please check availability in current price and stock list

Turning toolholders internal



Unit mm

Application	Insert	Order code	Part code	Dimensions							Master insert	PRICE
				dm	h	b	l1	f1	Dmin			
95°	06	I140.10.100.11.2	S10J STIL 11	10	9	9	100	7,4	-	IR 11	19,00 EUR	
		I140.12.125.11.2	S12K STIRL11	12	11	11	125	8,4	-	IR 11	25,00 EUR	
		I140.16.150.16.2	S16Q STIL 16	16	15	15	150	13,4	-	IR 16	28,00 EUR	
	08	I140.20.170.16.2	S20R STIL 16	20	18	18	170	13,7	-	IR 16	36,00 EUR	
		I140.25.250.16.2	S25S STIL 16	25	23	23	250	16,2	-	IR 16	43,00 EUR	
		I140.32.250.16.2	S32T STIL 16	34	30	30	250	19,0	-	IR 16	51,00 EUR	
		I140.40.300.16.2	S40U STIL 16	40	37	37	300	24,0	-	IR 16	63,00 EUR	
	I140.20.170.22.2	S20R STIL 22	20	18	18	170	13,7	-	IR 22	36,00 EUR		
95°		I140.25.250.22.2	S25S STIL 22	25	23	23	250	16,2	-	IR 22	43,00 EUR	
	06	I140.21.250.22.2	S32T STIL 22	32	30	30	250	19,0	-	IR 22	51,00 EUR	
		I140.40.300.22.2	S40U STIL 22	40	37	37	300	24,0	-	IR 22	63,00 EUR	
		I140.50.350.22.2	S50V STIL 22	50	47	47	350	38,0	-	IR 22	78,00 EUR	

Spare parts, parts included in delivery

Designation	Insert Screw	Wrench							
..10	A101.103 (M2.5)	A107.101 (T8)							
..12	A101.103 (M2.5)	A107.101 (T8)							
..16	A101.106 (M3.5)	A107.102 (T15)							
..20	A101.106 (M3.5)	A107.102 (T15)							
..20	A101.107 (M4)	A107.102 (T15)							
..25	A101.106 (M3.5)	A107.102 (T15)							
..25	A101.107 (M4)	A107.102 (T15)							
..32	A101.106 (M3.5)	A107.102 (T15)							
..32	A101.107 (M4)	A107.102 (T15)							

Please check availability in current price and stock list