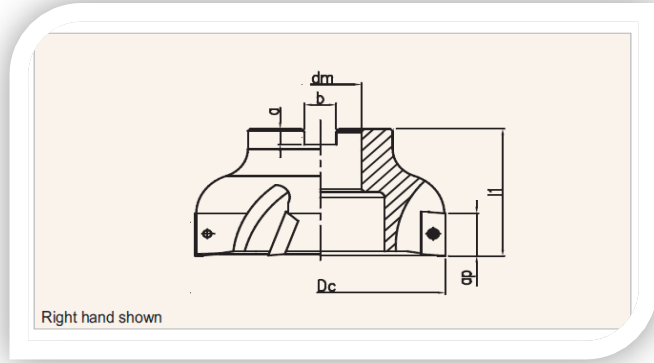


90° Face milling cutters



Entering angle 90°



Unit mm

Order code	Part code	Dimensions							z	Master insert	PRICE
		Dc	dm	l1	a	b	ap				
A102.40.16.6.1	GFM90AP106-D40-16	40	16	40	5,6	8,4	10	6	APKT 1003	53,00 EUR	
A102.50.22.7.1	GFM90AP107-D50-22	50	22	40	6,3	10,4	10	7	APKT 1003	62,00 EUR	
A102.63.22.8.1	GFM90AP108-D63-22	63	22	40	6,3	10,4	10	8	APKT 1003	70,00 EUR	
A103.40.16.4.1	GFM90AP164-D40-16	40	16	40	5,6	8,4	16	4	APKT 1604	48,00 EUR	
A103.50.22.5.1	GFM90AP165-D50-22	50	22	40	6,3	10,4	16	5	APKT 1604	57,00 EUR	
A103.63.22.6.1	GFM90AP166-D63-22	63	22	40	6,3	10,4	16	6	APKT 1604	65,00 EUR	
A103.80.27.7.1	GFM90AP167-D80-27	80	27	50	7,0	12,4	16	7	APKT 1604	83,00 EUR	
A103.100.32.8.1	GFM90AP168-D100-32	100	32	50	8,0	14,4	16	8	APKT 1604	95,00 EUR	
A103.125.40.10.1	GFM90AP1610-D125-40	125	40	63	9,0	16,4	16	10	APKT 1604	110,00 EUR	

Spare parts, parts included in delivery

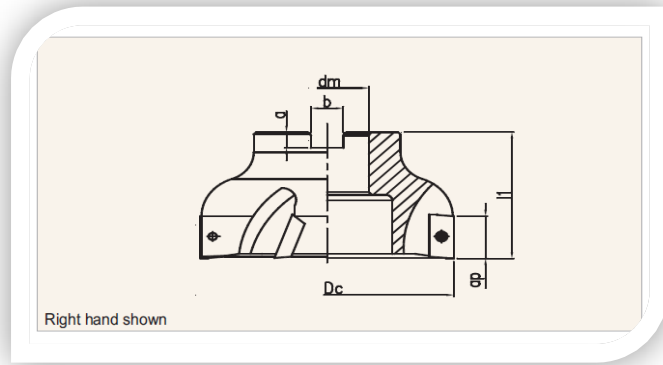
For insert	Insert screw	Wrench					
APKT 1003	A101.103 (M2.5)	A107.101 (T8)					
APKT 1604	A101.106 (M3.5)	A107.102 (T15)					

Please check availability in current price and stock list

90° Face milling cutters



Entering angle 90°



Unit mm

Order code	Part code	Dimensions							z	Master insert	PRICE
		Dc	dm	l1	a	b	ap				
A104.40.16.6.1	GFM90AP116-D40-16	40	16	40	5,6	8,4	11	6	APXT 11T3	53,00 EUR	
A104.50.22.7.1	GFM90AP117-D50-22	50	22	40	6,3	10,4	11	7	APXT 11T3	62,00 EUR	
A104.63.22.8.1	GFM90AP118-D63-22	63	22	40	6,3	10,4	11	8	APXT 11T3	70,00 EUR	
A128.40.16.5.1	GFM90R390.115-D40-16	40	16	40	5,6	8,4	11	5	R390.11T3	53,00 EUR	
A128.50.22.6.1	GFM90R390.116-D50-22	50	22	40	6,3	10,4	11	6	R390.11T3	62,00 EUR	
A128.63.22.7.1	GFM90R390.117-D63-22	63	22	40	6,3	10,4	11	7	R390.11T3	70,00 EUR	
A130.40.16.4.1	GFM90R390.174-D40-16	40	16	40	5,6	8,4	17	4	R390.17T4	48,00 EUR	
A130.50.22.5.1	GFM90R390.175-D50-22	50	22	40	6,3	10,4	17	5	R390.17T4	57,00 EUR	
A130.63.22.6.1	GFM90R390.176-D63-22	63	22	40	6,3	10,4	17	6	R390.17T4	65,00 EUR	
A130.80.27.7.1	GFM90R390.177-D80-27	80	27	50	7,0	12,4	17	7	R390.17T4	83,00 EUR	
A130.100.32.8.1	GFM90R390.178-D100-32	100	32	50	8,0	14,4	17	8	R390.17T4	95,00 EUR	
A130.125.40.9.1	GFM90R390.179-D125-40	125	40	63	9,0	16,4	17	9	R390.17T4	110,00 EUR	

Spare parts, parts included in delivery

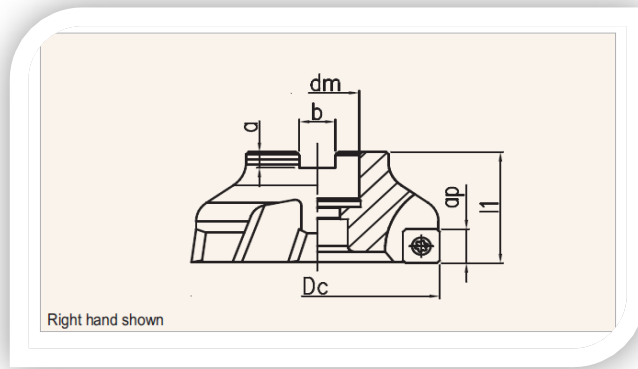
For insert	Insert screw	Wrench				
APXT 11T3	A101.103 (M2.5)	A107.101 (T8)				
R390,11T3	A101.103 (M2.5)	A107.101 (T8)				
R390.17T4	A101.106 (M3)	A107.102 (T15)				

Please check availability in current price and stock list

90° Face milling cutters



Entering angle 90°



Unit mm

Order code	Part code	Dimensions							z	Master insert	PRICE
		Dc	dm	l1	a	b	ap				
A105.50.22.4.1	GFM90SD124-D50-22	50	22	40	6,3	10,4	12	4	SD...12T3	57,00 EUR	
A105.63.22.5.1	GFM90SD125-D63-22	63	22	40	6,3	10,4	12	5	SD...12T3	65,00 EUR	
A105.80.27.7.1	GFM90SD127-D80-27	80	27	50	7,0	12,4	12	7	SD...12T3	83,00 EUR	
A105.100.32.9.1	GFM90SD129-D100-32	100	32	50	8,0	14,4	12	9	SD...12T3	95,00 EUR	
A105.125.40.10.1	GFM90SD1210-D125-40	125	40	63	9,0	16,4	12	10	SD...12T3	110,00 EUR	
A105.160.40.13.1	GFM90SD1213-D160-40	160	40	63	9,0	16,4	12	13	SD...12T3	140,00 EUR	

Spare parts, parts included in delivery

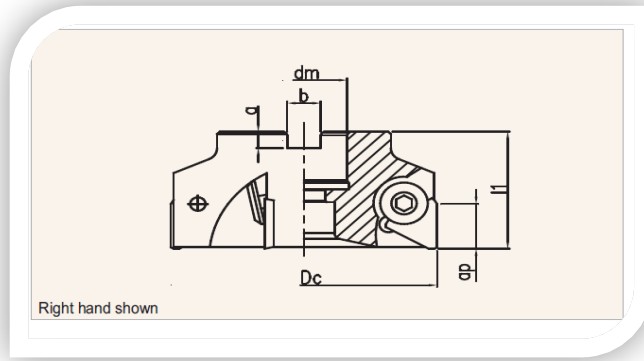
For insert	Insert screw	Wrench				
SD.. 12T3	A101.107 (M4)	A107.102 (T15)				

Please check availability in current price and stock list

90° Face milling cutters



Entering angle 90°



Unit mm

Order code	Part code	Dimensions							z	Master insert	PRICE
		Dc	dm	l1	a	b	ap				
A106.42.16.3.1	FM90TP163-D42-16	42	16	44	5,6	8,4	16	3	TPKN 1603	43,00 EUR	
A106.50.22.3.1	GFM90TP163-D50-22	50	22	44	6,3	10,4	16	3	TPKN 1603	52,00 EUR	
A106.63.22.3.1	GFM90TP163-D63-22	63	22	44	6,3	10,4	16	3	TPKN 1603	60,00 EUR	
A106.63.22.4.1	GFM90TP164-D63-22	63	22	44	6,3	10,4	16	4	TPKN 1603	60,00 EUR	
A106.80.32.5.1	GFM90TP165-D80-32	80	32	52	8,0	14,4	16	5	TPKN 1603	78,00 EUR	
A106.100.32.6.1	GFM90TP166-D100-32	100	32	52	8,0	14,4	16	6	TPKN 1603	90,00 EUR	
A107.63.22.3.1	GFM90TP223-D63-22	63	22	44	6,3	10,4	22	3	TPKN 2204	60,00 EUR	
A107.80.32.4.1	GFM90TP224-D80-32	80	32	52	8,0	14,4	22	4	TPKN 2204	78,00 EUR	
A107.100.32.5.1	GFM90TP225-D100-32	100	32	52	8,0	14,4	22	5	TPKN 2204	90,00 EUR	
A107.125.40.6.1	GFM90TP226-D125-40	125	40	63	9,0	16,4	22	6	TPKN 2204	105,00 EUR	
A107.160.40.7.1	GFM90TP227-D160-40	160	40	63	9,0	16,4	22	7	TPKN 2204	140,00 EUR	
A107.200.60.8.1	GFM90TP228-D200-60	200	60	63	14,0	25,7	22	8	TPKN 2204	165,00 EUR	
A107.250.60.9.1	GFM90TP229-D250-60	250	60	63	14,0	25,7	22	9	TPKN 2204	205,00 EUR	
A107.315.60.10.1	GFM90TP2210-D315-60	315	60	63	14,0	25,7	22	10	TPKN 2204	260,00 EUR	

Spare parts, parts included in delivery

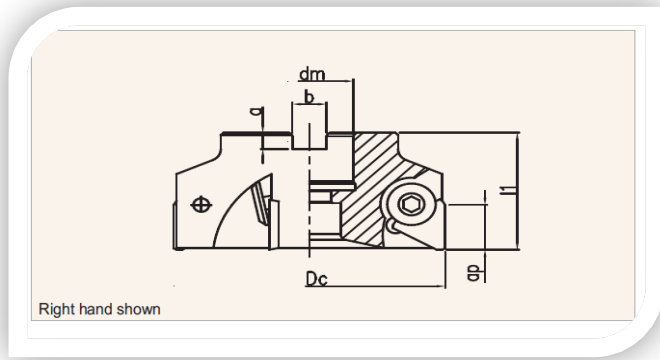
For insert	Insert screw	Wrench
TPKN 1603	A104.102 (M6X0.75x16)	A109.107 (4 HK)
TPKN 2204	A104.103 (M8X1x24)	A109.109 (5 HK)

Please check availability in current price and stock list

90° Face milling cutters



Entering angle 90°



Unit mm

Order code.	Part code	Dimensions							z	Master insert	PRICE
		Dc	dm	l1	a	b	ap				
A108.80.32.5.1	GFM90TP165-D80-32-S	80	32	52	8,0	14,4	16	5	TPKN 1603	88,00 EUR	
A108.100.32.6.1	GFM90TP166-D100-32-S	100	32	52	8,0	14,4	16	6	TPKN 1603	100,00 EUR	
A109.63.22.3.1	GFM90TP223-D63-22-S	63	22	44	6,3	10,4	22	3	TPKN 2204	70,00 EUR	
A109.80.32.4.1	GFM90TP224-D80-32-S	80	32	52	8,0	14,4	22	4	TPKN 2204	88,00 EUR	
A109.100.32.5.1	GFM90TP225-D100-32-S	100	32	52	8,0	14,4	22	5	TPKN 2204	100,00 EUR	
A109.125.40.6.1	GFM90TP226-D125-40-S	125	40	63	9,0	16,4	22	6	TPKN 2204	110,00 EUR	
A109.160.40.7.1	GFM90TP227-D160-40-S	160	40	63	9,0	16,4	22	7	TPKN 2204	145,00 EUR	
A109.200.60.8.1	GFM90TP228-D200-60-S	200	60	63	14,0	25,7	22	8	TPKN 2204	185,00 EUR	
A109.250.60.9.1	GFM90TP229-D250-60-S	250	60	63	14,0	25,7	22	9	TPKN 2204	225,00 EUR	
A109.315.60.10.1	GFM90TP2210-D315-60-S	315	60	63	14,0	25,7	22	10	TPKN 2204	280,00 EUR	

Spare parts, parts included in deliver

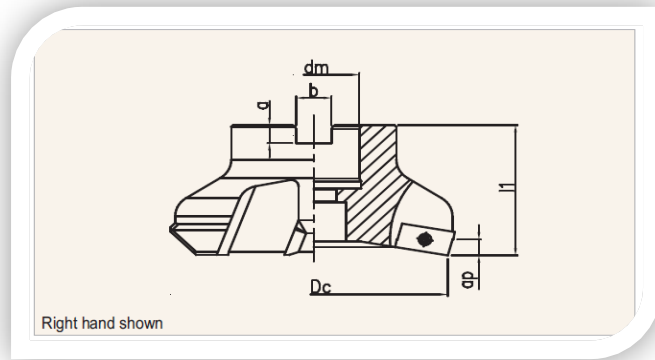
For insert	Insert screw	Wrench	Shim	Shim screw	Wrench
TPKN 1603	A104.102 (M6X0.75x16)	A109.107 (4 HK)	A102.109	A103.103 (M3)	A109.104 (2.5 HK)
TPKN 2204	A104.103 (M8X1x24)	A109.109 (5 HK)	A102.110	A103.104 (M4)	A109.104 (2.5 HK)

Please check availability in current price and stock list

75° Face milling cutters



Entering angle 75°



Unit mm

Order code	Part code	Dimensions							z	Master insert	PRICE
		Dc	dm	l1	a	b	ap				
A110.63.22.3.1	GFM75AP163-D63-22	63	22	40	6,3	10,4	6	3	APKT 1604	65,00 EUR	
A110.80.27.4.1	GFM75AP164-D80-27	80	27	50	7,0	12,4	6	4	APKT 1604	83,00 EUR	
A110.100.32.5.1	GFM75AP165-D100-32	100	32	50	8,0	14,4	6	5	APKT 1604	95,00 EUR	

Spare parts, parts included in delivery

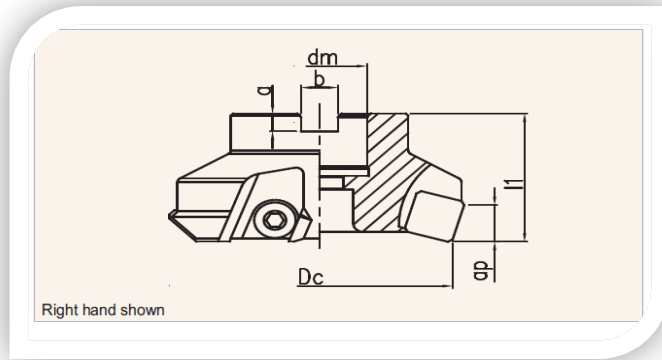
For insert	Insert screw	Wrench				
APKT 1604	A101.106 (M3.5)	A107.102 (T15)				

Please check availability in current price and stock list

75° Face milling cutters



Entering angle 75°



Unit mm

Order code.	Part code	Dimensions							z	Master insert	PRICE
		Dc	dm	l1	a	b	ap				
A111.50.22.3.1	GFM75SP123-D50-22	50	22	50	6,3	10,4	10	3	SPKN 1203	52,00 EUR	
A111.63.22.4.1	GFM75SP124-D63-22	63	22	50	6,3	10,4	10	4	SPKN 1203	60,00 EUR	
A111.80.32.6.1	GFM75SP126-D80-32	80	32	52	8,0	14,4	10	6	SPKN 1203	78,00 EUR	
A111.100.32.8.1	GFM75SP128-D100-32	100	32	52	8,0	14,4	10	8	SPKN 1203	90,00 EUR	
A111.125.40.10.1	GFM75SP1210-D125-40	125	40	60	9,0	16,4	10	10	SPKN 1203	105,00 EUR	
A111.160.40.12.1	GFM75SP1212-D160-40	160	40	60	9,0	16,4	10	12	SPKN 1203	140,00 EUR	
A111.200.60.14.1	GFM75SP1214-D200-60	200	60	63	14,0	25,7	10	14	SPKN 1203	165,00 EUR	
A111.250.60.16.1	GFM75SP1216-D250-60	250	60	63	14,0	25,7	10	16	SPKN 1203	205,00 EUR	
A111.300.60.20.1	GFM75SP1220-D300-60	300	60	65	14,0	25,7	10	20	SPKN 1203	260,00 EUR	

Spare parts, parts included in delivery

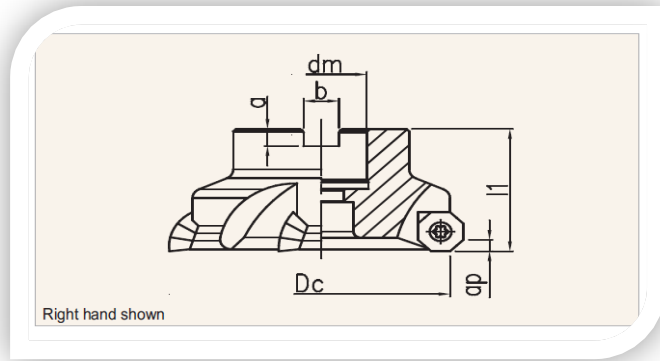
For insert	Insert screw	Wrench				
SPKN 1203	A104.104 (M8X1x26L)	A109.109 (5 HK)				

Please check availability in current price and stock list

45° Face milling cutters



Entering angle 45°



Unit mm

Order code	Part code. Ürün kodu	Dimensions							z	Master insert	PRICE
		Dc	dm	l1	a	b	ap				
A112.40.16.4.1	GFM450F054-D40-16	40	16	40	5,6	8,4	3	4	OFKT 05T3	58,00 EUR	
A112.50.22.5.1	GFM450F055-D50-22	50	22	40	6,3	10,4	3	5	OFKT 05T3	67,00 EUR	
A112.63.22.6.1	GFM450F056-D63-22	63	22	40	6,3	10,4	3	6	OFKT 05T3	75,00 EUR	
A112.80.27.7.1	GFM450F057-D80-27	80	27	50	7,0	12,4	3	7	OFKT 05T3	83,00 EUR	
A112.100.32.8.1	GFM450F058-D100-32	100	32	50	8,0	14,4	3	8	OFKT 05T3	105,00 EUR	
A112.120.40.10.1	GFM450F0510-D120-40	120	40	63	9,0	16,4	3	10	OFKT 05T3	120,00 EUR	
A113.63.22.5.1	GFM450F075-D63-22	63	22	40	6,3	84,0	3	5	OFPT 0706	70,00 EUR	
A113.80.27.6.1	GFM450F076-D80-27	80	27	50	7,0	12,4	3	6	OFPT 0706	78,00 EUR	
A113.100.32.8.1	GFM450F078-D100-32	100	32	50	8,0	14,4	3	8	OFPT 0706	100,00 EUR	
A113.125.40.10.1	GFM450F0710-D125-40	125	40	63	9,0	16,4	3	10	OFPT 0706	125,00 EUR	
A113.160.40.12.1	GFM450F0712-D160-40	160	40	63	9,0	16,4	3	12	OFPT 0706	150,00 EUR	

Spare parts, parts included in delivery

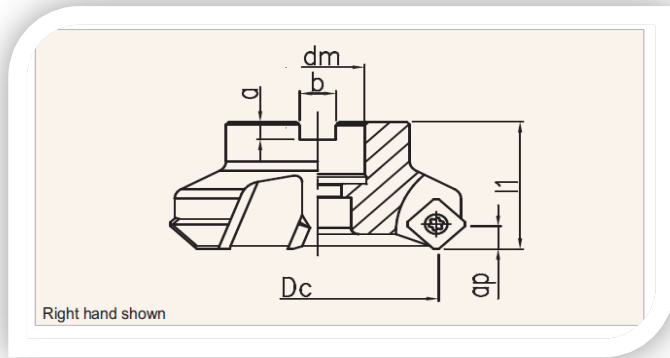
For insert	Insert screw	Wrench				
OFKT 05T3	A101.107 (M4)	A107.102 (T15)				
OFPT 0706	A101.108 (M4.5)	A107.103 (T20)				

Please check availability in current price and stock list

45° Face milling cutters



Entering angle 45°



Unit mm

Order code	Part code	Dimensions							z	Master insert	PRICE
		Dc	dm	l1	a	b	ap				
A114.50.22.4.1	GFM45SD124-D50-22	50	22	40	6,3	10,4	8	4	SD...12T3	59,00 EUR	
A114.63.22.5.1	GFM45SD125-D63-22	63	22	40	6,3	10,4	8	5	SD...12T3	67,00 EUR	
A114.80.27.6.1	GFM45SD126-D80-27	80	27	50	7,0	12,4	8	6	SD...12T3	85,00 EUR	
A114.100.32.7.1	GFM45SD127-D100-32	100	32	50	8,0	14,4	8	7	SD...12T3	97,00 EUR	
A114.125.40.8.1	GFM45SD128-D125-40	125	40	63	9,0	16,4	8	8	SD...12T3	112,00 EUR	

Spare parts, parts included in delivery

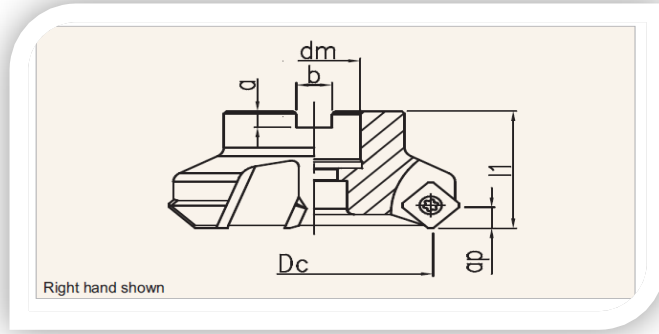
For insert	Insert screw	Wrench				
SD...12T3	A101.107 (M4)	A107.102 (T15)				

Please check availability in current price and stock list

45° Face milling cutters



Unit mm



Order code	Part code	Dimensions							z	Master insert	PRICE
		Dc	dm	l1	a	b	ap				
A126.50.22.4.1	GFM45SN124-D50-22	50	22	40	6,3	10,4	5	4	SNMX 1206	70,00 EUR	
A126.63.22.5.1	GFM45SN125-D63-22	63	22	40	6,3	10,4	5	5	SNMX 1206	78,00 EUR	
A126.80.27.6.1	GFM45SN126-D80-27	80	27	50	7	12,4	5	6	SNMX 1206	96,00 EUR	
A126.100.32.8.1	GFM45SN128-D100-32	100	32	50	8	14,4	5	7	SNMX 1206	108,00 EUR	
A126.125.40.10.1	GFM45SN1210-D125-40	50	22	40	9,0	16,4	5	4	SNMX 1206	123,00 EUR	
A126.160.40.12.1	GFM45SN1212-D160-40	63	22	40	9,0	16,4	5	5	SNMX 1206	170,00 EUR	

Spare parts, parts included in delivery

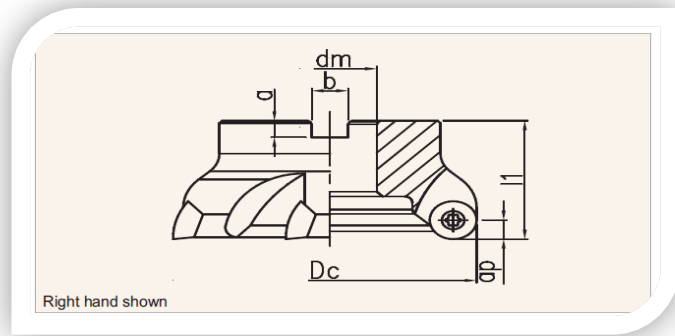
For insert	Insert screw	Wrench					
SNMX 1206	A101.107 (M4)	A107.102 (T15)					

Please check availability in current price and stock list

Copy face milling cutters



Unit mm



Order code	Part code	Dimensions							z	Master insert	PRICE
		Dc	dm	l1	a	b	ap				
A115.40.16.3.1	GFMRD103-D40-16	40	16	40	5,6	8,4	5	3	RDHT 10T3	48,00 EUR	
A115.50.22.4.1	GFMRD104-D50-22	50	22	40	6,3	10,4	5	4	RDHT 10T3	57,00 EUR	
A115.63.22.5.1	GFMRD105-D63-22	63	22	40	6,3	10,4	5	5	RDHT 10T3	65,00 EUR	
A115.80.27.6.1	GFMRD106-D80-27	80	27	50	7,0	12,4	5	6	RDHT 10T3	83,00 EUR	

Spare parts, parts included in delivery

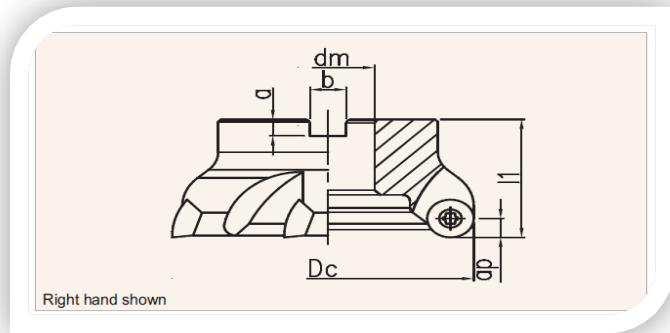
For insert	Insert screw	Wrench
RDHT 10T3	A101.106 (M3.5)	A107.102 (T15)

Please check availability in current price and stock list

Copy face milling cutters



Unit mm



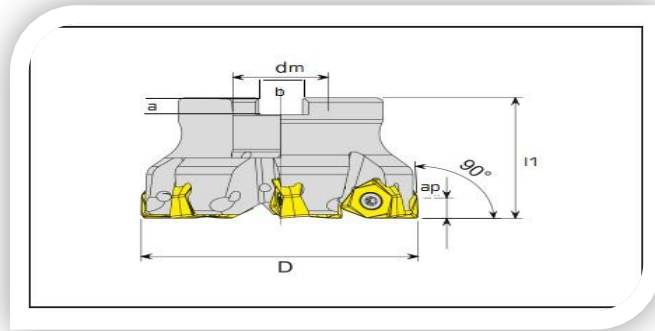
Order code	Part code	Dimensions							z	Master insert	PRICE
		Dc	dm	l1	a	b	ap				
A116.50.22.4.1	GFMRD124-D50-22	50	22	40	6,3	10,4	6	4	RDMW 12T3	48,00 EUR	
A116.63.22.5.1	GFMRD125-D63-22	63	22	40	6,3	10,4	6	5	RDMW 12T3	57,00 EUR	
A116.80.27.6.1	GFMRD126-D80-27	80	27	50	7,0	12,4	6	6	RDMW 12T3	65,00 EUR	
A116.100.32.7.1	GFMRD127-D100-32	100	32	50	8,0	14,4	6	7	RDMW 12T3	83,00 EUR	
A118.80.27.5.1	GFMRD165-D80-27	80	27	50	7,0	12,4	8	5	RDMW 1604	80,00 EUR	
A118.100.32.6.1	GFMRD166-D100-32	100	32	50	8,0	14,4	8	6	RDMW 1604	92,00 EUR	
A118.125.40.7.1	GFMRD167-D125-40	125	40	63	9,0	16,4	8	7	RDMW 1604	108,00 EUR	
A117.50.22.4.1	GFMRD124-D50-22	50	22	40	6,3	10,4	6	4	RDMW 1204	48,00 EUR	
A117.63.22.5.1	GFMRD125-D63-22	63	22	40	6,3	10,4	6	5	RDMW 1204	57,00 EUR	
A117.80.27.6.1	GFMRD126-D80-27	80	27	50	7,0	12,4	6	6	RDMW 1204	65,00 EUR	
A117.100.32.7.1	GFMRD127-D100-32	100	32	50	8,0	14,4	6	7	RDMW 1204	83,00 EUR	
A119.100.32.6.1	GFMRD166-D100-32	100	32	50	8,0	14,4	8	6	RDMW 1605	85,00 EUR	

Spare parts, parts included in delivery

For insert	Insert screw	Wrench
RDMW 12T3	A101.107 (M4)	A107.102 (T15)
RDMW 1204	A101.107 (M4)	A107.102 (T15)
RDMW 1604	A101.109 (M5)	A107.103 (T20)
RDMW 1605	A101.109 (M5)	A107.103 (T20)

Please check availability in current price and stock list

Copy face milling cutters



Unit mm

Order code	Part code	Dimensions							z	Master insert	PRICE
		Dc	dm	l1	a	b	ap				
A118.50.22.4.1	GFMMWN 09 D504-22	50	22	40	6,3	10,4	5	4	WNMX 09T3	67,00 EUR	
A118.63.22.5.1	GFMMWN 09 D635-22	63	22	40	6,3	10,4	5	5	WNMX 09T3	73,00 EUR	
A118.80.27.6.1	GFMMWN 09 D806-27	80	27	50	7	12,4	5	6	WNMX 09T3	84,00 EUR	
A118.100.32.7.1	GFMMWN 09 D1007-32	100	32	50	8	14,4	5	7	WNMX 09T3	91,00 EUR	
A120.50.22.4.1	GFMMWN 13 D504-22	50	22	40	6,3	10,4	5	4	WNMX 1305	65,00 EUR	
A120.63.22.5.1	GFMMWN 13 D635-22	63	22	40	6,3	10,4	5	5	WNMX 1305	71,00 EUR	
A120.80.27.6.1	GFMMWN 13 D806-27	80	27	50	7	12,4	5	6	WNMX 1305	83,00 EUR	
A120.100.32.7.1	GFMMWN 13 D1007-32	100	32	50	8	14,4	5	7	WNMX 1305	89,00 EUR	

Spare parts, parts included in delivery

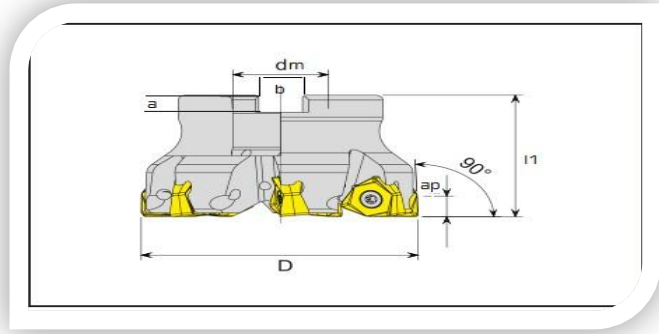
For insert	Insert screw	Wrench				
WNMX 09T3	A101.106 (M3,5)	A107.102 (T15)				
WNMX 1305	A101.106 (M3,5)	A107.102 (T15)				

Please check availability in current price and stock list

Copy face milling cutters



Unit mm



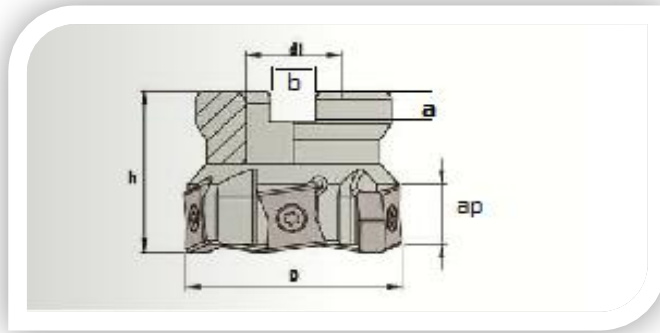
Order code	Part code	Dimensions							z	Master insert	PRICE
		Dc	dm	l1	a	b	ap				
A122.50.22.4.1	GFMWD 13 D505-22	50	22	40	6,3	10,4	5	4	WDKT 1305	67,00 EUR	
A122.63.22.5.1	GFMWD 13 D636-22	63	22	40	6,3	10,4	5	5	WDKT 1305	73,00 EUR	
A122.80.27.6.1	GFMWD 13 D807-27	80	27	50	7	12,4	5	6	WDKT 1305	84,00 EUR	
A122.100.32.7.1	GFMWD 13 D100-32	100	32	50	8	14,4	5	7	WDKT 1305	91,00 EUR	

Spare parts, parts included in delivery

For insert	Insert screw	Wrench				
WDKT 1305	A101.107 (M4)	A107.102 (T15)				

Please check availability in current price and stock list

Face milling cutters



Unit mm

Order code	Part code	Dimensions							z	Master insert	PRICE
		Dc	d _m	l ₁	a	b	a _p				
A124.50.22.5.1	GFM90LN13 D505-22	50	22	40	6,3	10,4	15	5	LN....1506	67,00 EUR	
A124.63.22.6.1	GFM90LN13 D636-22	63	22	40	6,3	10,4	15	6	LN....1506	75,00 EUR	
A124.80.27.7.1	GFM90LN13 D807-27	80	27	50	7	12,4	15	7	LN....1506	93,00 EUR	
A124.100.32.8.1	GFM90LN13 D1008-32	100	32	50	8	14,4	15	8	LN....1506	105,00 EUR	
A124.125.40.9.1	GFM90LN13 D1259-40	125	40	63	9	16,4	15	9	LN....1506	120,00 EUR	
A124.160.40.10.1	GFM90LN13 D16010-40	160	40	63	9	16,4	15	10	LN....1506	160,00 EUR	

Spare parts, parts included in delivery

For insert	Insert screw	Wrench				
LN....1506	A101.107 (M4)	A107.102 (T15)				

Please check availability in current price and stock list