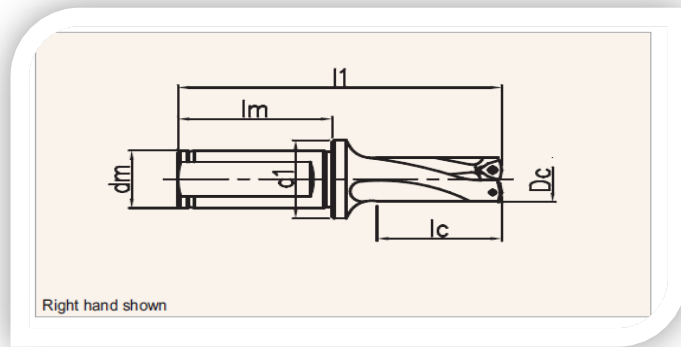


Indexable insert drills



Drilling depth 2xDc



Unit mm

Order code	Part code	Dimensions						Master insert	PRICE
		Dc	lc	dm	lm	d1	l1		
D102.16.2.25.3	GW2D D16-25 WC 03	16	32	25	55	34	103	WCMX 030208	60,00 EUR
D102.17.2.25.3	GW2D D17-25-WC 03	17	34	25	55	34	105	WCMX 030208	62,00 EUR
D102.18.2.25.3	GW2D D18-25-WC 03	18	36	25	55	34	107	WCMX 030208	64,00 EUR
D102.19.2.25.3	GW2D D19-25 WC 03	19	38	25	55	34	109	WCMX 030208	66,00 EUR
D102.20.2.25.3	GW2D D20-25 WC 04	20	40	25	55	34	111	WCMX 040208	68,00 EUR
D102.21.2.25.3	GW2D D21-25 WC 04	21	42	25	55	34	113	WCMX 040208	70,00 EUR
D102.22.2.25.3	GW2D D22-25 WC 04	22	44	25	55	34	115	WCMX 040208	72,00 EUR
D102.23.2.25.3	GW2D D23-25 WC 04	23	46	25	55	34	117	WCMX 040208	74,00 EUR
D102.24.2.25.3	GW2D D24-25 WC 04	24	48	25	55	34	119	WCMX 040208	76,00 EUR
D102.25.2.25.3	GW2D D25-25 WC 05	25	50	25	55	34	121	WCMX 050308	78,00 EUR
D102.26.2.32.3	GW2D D26-32 WC 05	26	52	32	60	41	130	WCMX 050308	80,00 EUR
D102.27.2.32.3	GW2D D27-32-WC 05	27	54	32	60	41	132	WCMX 050308	82,00 EUR
D102.28.2.32.3	GW2D D28-32-WC 05	28	56	32	60	41	134	WCMX 050308	84,00 EUR
D102.29.2.32.3	GW2D D29-32-WC 05	29	58	32	60	41	136	WCMX 050308	86,00 EUR
D102.30.2.32.3	GW2D D30-32-WC 06	30	60	32	60	41	138	WCMX 06T308	88,00 EUR
D102.31.2.32.3	GW2D D31-32-WC 06	31	62	32	60	44	141	WCMX 06T308	90,00 EUR
D102.32.2.32.3	GW2D D32-32-WC 06	32	64	32	60	44	143	WCMX 06T308	92,00 EUR
D102.33.2.32.3	GW2D D33-32-WC 06	33	66	32	60	44	145	WCMX 06T308	94,00 EUR
D102.34.2.32.3	GW2D D34-32-WC 06	34	68	32	60	44	147	WCMX 06T308	96,00 EUR
D102.35.2.32.3	GW2D D35-32-WC 06	35	70	32	60	44	149	WCMX 06T308	98,00 EUR
D102.36.2.32.3	GW2D D36-32-WC 06	36	72	32	60	49	151	WCMX 06T308	100,00 EUR
D102.37.2.32.3	GW2D D37-32-WC 06	37	74	32	60	49	153	WCMX 06T308	102,00 EUR
D102.38.2.32.3	GW2D D38-32-WC 06	38	76	32	60	49	155	WCMX 06T308	104,00 EUR
D102.39.2.32.3	GW2D D39-32-WC 06	39	78	32	60	49	157	WCMX 06T308	106,00 EUR
D102.40.2.32.3	GW2D D40-32-WC 06	40	80	32	60	49	159	WCMX 06T308	108,00 EUR
D102.41.2.32.3	GW2D D41-32-WC 06	41	82	32	60	49	161	WCMX 06T308	110,00 EUR

Spare parts, parts included in delivery

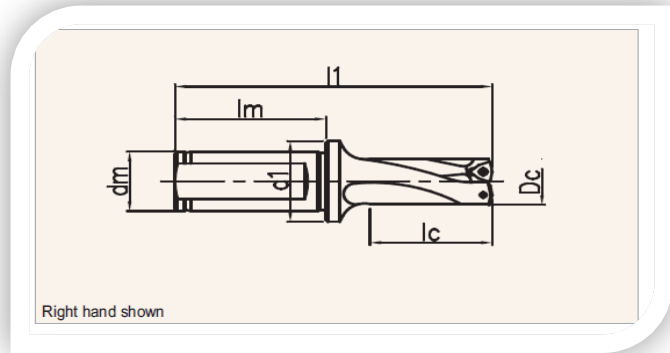
	Insert screw	Wrench				
WCMX 030208	A101.103 (M2.5)	A107.101 (T8)				
WCMX 040208	A101.103 (M2.5)	A107.101 (T8)				
WCMX 050308	A101.104 (M3)	A107.101 (T8)				
WCMX 06T308	A101.106 (M3.5)	A107.102(T15)				

Please check availability in current price and stock list

Indexable insert drills



Drilling depth $3 \times D_c$



Unit mm

Order code	Part code	Dimensions						Master insert	PRICE
		Dc	lc	dm	lm	d1	l1		
D102.16.3.25.3	GW3D D16-25 WC 03	16	48	25	55	34	119	WCMX 030208	63,00 EUR
D102.17.3.25.3	GW3D D17-25-WC 03	17	51	25	55	34	122	WCMX 030208	65,00 EUR
D102.18.3.25.3	GW3D D18-25-WC 03	18	54	25	55	34	125	WCMX 030208	67,00 EUR
D102.19.3.25.3	GW3D D19-25 WC 03	19	57	25	55	34	128	WCMX 030208	69,00 EUR
D102.20.3.25.3	GW3D D20-25 WC 04	20	60	25	55	34	131	WCMX 040208	71,00 EUR
D102.21.3.25.3	GW3D D21-25 WC 04	21	63	25	55	34	134	WCMX 040208	73,00 EUR
D102.22.3.25.3	GW3D D22-25 WC 04	22	66	25	55	34	137	WCMX 040208	75,00 EUR
D102.23.3.25.3	GW3D D23-25 WC 04	23	69	25	55	34	140	WCMX 040208	77,00 EUR
D102.24.3.25.3	GW3D D24-25 WC 04	24	72	25	55	34	143	WCMX 040208	79,00 EUR
D102.25.3.25.3	GW3D D25-25 WC 05	25	75	25	55	34	146	WCMX 050308	81,00 EUR
D102.26.3.32.3	GW3D D26-32 WC 05	26	78	32	60	41	156	WCMX 050308	83,00 EUR
D102.27.3.32.3	GW3D D27-32-WC 05	27	81	32	60	41	159	WCMX 050308	85,00 EUR
D102.28.3.32.3	GW3D D28-32-WC 05	28	84	32	60	41	162	WCMX 050308	87,00 EUR
D102.29.3.32.3	GW3D D29-32-WC 05	29	87	32	60	41	165	WCMX 050308	89,00 EUR
D102.30.3.32.3	GW3D D30-32-WC 06	30	90	32	60	41	168	WCMX 06T308	91,00 EUR
D102.31.3.32.3	GW3D D31-32-WC 06	31	93	32	60	44	172	WCMX 06T308	93,00 EUR
D102.32.3.32.3	GW3D D32-32-WC 06	32	96	32	60	44	175	WCMX 06T308	95,00 EUR
D102.33.3.32.3	GW3D D33-32-WC 06	33	99	32	60	44	178	WCMX 06T308	97,00 EUR
D102.34.3.32.3	GW3D D34-32-WC 06	34	102	32	60	44	181	WCMX 06T308	99,00 EUR
D102.35.3.32.3	GW3D D35-32-WC 06	35	105	32	60	44	184	WCMX 06T308	101,00 EUR
D102.36.3.32.3	GW3D D36-32-WC 06	36	108	32	60	49	187	WCMX 06T308	103,00 EUR
D102.37.3.32.3	GW3D D37-32-WC 06	37	111	32	60	49	190	WCMX 06T308	105,00 EUR
D102.38.3.32.3	GW3D D38-32-WC 06	38	114	32	60	49	193	WCMX 06T308	107,00 EUR
D102.39.3.32.3	GW3D D39-32-WC 06	39	117	32	60	49	196	WCMX 06T308	109,00 EUR
D102.40.3.32.3	GW3D D40-32-WC 06	40	120	32	60	49	199	WCMX 06T308	111,00 EUR
D102.41.3.32.3	GW3D D41-32-WC 06	41	123	32	60	49	202	WCMX 06T308	113,00 EUR

Spare parts, parts included in delivery

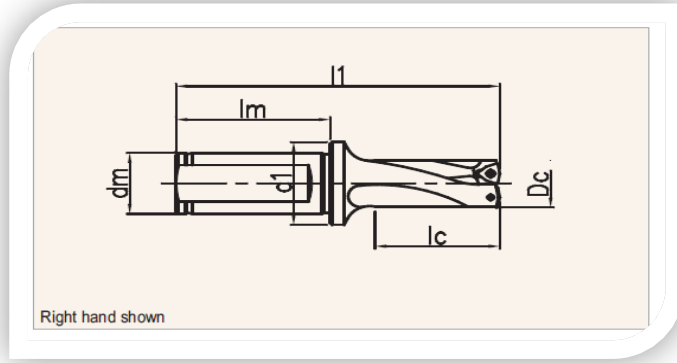
For insert	Insert screw	Wrench				
WCMX 030208	A101.103 (M2.5)	A107.101 (T8)				
WCMX 040208	A101.103 (M2.5)	A107.101 (T8)				
WCMX 050308	A101.104 (M3)	A107.101 (T8)				
WCMX 06T308	A101.106 (M3.5)	A107.102(T15)				

Please check availability in current price and stock list

Indexable insert drills



Drilling depth 4xDc



Unit mm

Order code. Sipariş	Part code. Ürün kodu	Dimensions-Ölçüler						Master insert	PRICE
		Dc	lc	dm	lm	d1	l1		
D102.16.4.25.3	GW4D D16-25-WC 03	16	64	25	55	34	135	WCMX 030208	68,00 EUR
D102.17.4.25.3	GW4D D17-25 WC 03	17	68	25	55	34	139	WCMX 030208	70,00 EUR
D102.18.4.25.3	GW4D D18-25-WC 03	18	72	25	55	34	143	WCMX 030208	72,00 EUR
D102.19.4.25.3	GW4D D19-25 WC 03	19	76	25	55	34	147	WCMX 030208	74,00 EUR
D102.20.4.25.3	GW4D D20-25 WC 04	20	80	25	55	34	151	WCMX 040208	76,00 EUR
D102.21.4.25.3	GW4D D21-25 WC 04	21	84	25	55	34	155	WCMX 040208	78,00 EUR
D102.22.4.25.3	GW4D D22-25 WC 04	22	88	25	55	34	159	WCMX 040208	80,00 EUR
D102.23.4.25.3	GW4D D23-25 WC 04	23	92	25	55	34	163	WCMX 040208	82,00 EUR
D102.24.4.25.3	GW4D D24-25 WC 04	24	96	25	55	34	167	WCMX 040208	84,00 EUR
D102.25.4.25.3	GW4D D25-25 WC 05	25	100	25	55	34	171	WCMX 050308	86,00 EUR
D102.26.4.32.3	GW4D D26-32 WC 05	26	104	32	60	41	182	WCMX 050308	89,00 EUR
D102.27.4.32.3	GW4D D27-32-WC 05	27	108	32	60	41	186	WCMX 050308	92,00 EUR
D102.28.4.32.3	GW4D D28-32-WC 05	28	112	32	60	41	190	WCMX 050308	95,00 EUR
D102.29.4.32.3	GW4D D29-32-WC 05	29	116	32	60	41	194	WCMX 050308	98,00 EUR
D102.30.4.32.3	GW4D D30-32-WC 06	30	120	32	60	41	198	WCMX 06T308	101,00 EUR
D102.31.4.32.3	GW4D D31-32-WC 06	31	124	32	60	44	203	WCMX 06T308	104,00 EUR
D102.32.4.32.3	GW4D D32-32-WC 06	32	128	32	60	44	207	WCMX 06T308	107,00 EUR
D102.33.4.32.3	GW4D D33-32-WC 06	33	132	32	60	44	211	WCMX 06T308	110,00 EUR
D102.34.4.32.3	GW4D D34-32-WC 06	34	136	32	60	44	215	WCMX 06T308	113,00 EUR
D102.35.4.32.3	GW4D D35-32-WC 06	35	140	32	60	44	219	WCMX 06T308	116,00 EUR
D102.36.4.32.3	GW4D D36-32-WC 06	36	144	32	60	49	223	WCMX 06T308	119,00 EUR
D102.37.4.32.3	GW4D D37-32-WC 06	37	148	32	60	49	227	WCMX 06T308	122,00 EUR
D102.38.4.32.3	GW4D D38-32-WC 06	38	152	32	60	49	231	WCMX 06T308	125,00 EUR
D102.39.4.32.3	GW4D D39-32-WC 06	39	156	32	60	49	235	WCMX 06T308	128,00 EUR
D102.40.4.32.3	GW4D D40-32-WC 06	40	160	32	60	49	239	WCMX 06T308	131,00 EUR
D102.41.4.32.3	GW4D D39-32-WC 06	41	164	32	60	49	239	WCMX 06T308	134,00 EUR

Spare parts, parts included in delivery

For insert	Insert screw	Wrench				
WCMX 030208	A101.103 (M2.5)	A107.101 (T8)				
WCMX 040208	A101.103 (M2.5)	A107.101 (T8)				
WCMX 050308	A101.104 (M3)	A107.101 (T8)				
WCMX 06T308	A101.106 (M3.5)	A107.102(T15)				

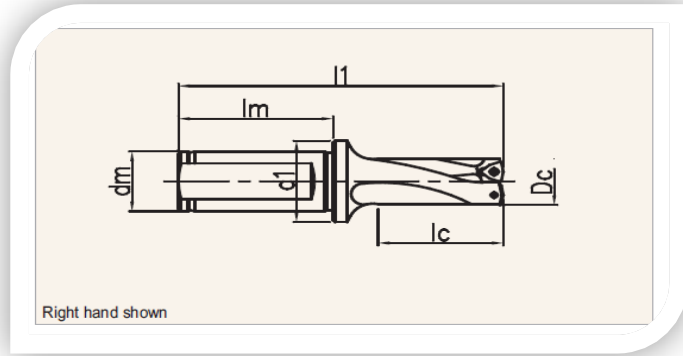
Please check availability in current price and stock list

Indexable insert drills



Drilling depth $2 \times D_c$

Unit mm



Order code	Part code	Dimensions						Master insert	PRICE
		Dc	lc	dm	lm	d1	l1		
D104.13.2.20.3	GW2D D13-20 SP05	13	26	20	50	31	98	SPMG 0502	60,00 EUR
D104.14.2.20.3	GW2D D14-20 SP05	14	28	20	50	31	100	SPMG 0502	62,00 EUR
D104.15.2.20.3	GW2D D15-20 SP05	15	30	20	50	31	102	SPMG 0502	64,00 EUR
D104.16.2.25.3	GW2D D16-25 SP05	16	32	25	55	34	104	SPMG 0502	66,00 EUR
D104.17.2.25.3	GW2D D17-25-SP06	17	34	25	55	34	106	SPMG 0602	68,00 EUR
D104.18.2.25.3	GW2D D18-25-SP06	18	36	25	55	34	108	SPMG 0602	70,00 EUR
D104.19.2.25.3	GW2D D19-25 SP06	19	38	25	55	34	110	SPMG 0602	72,00 EUR
D104.20.2.25.3	GW2D D20-25 SP06	20	40	25	55	34	112	SPMG 0602	74,00 EUR
D104.21.2.25.3	GW2D D21-25 SP06	21	42	25	55	34	114	SPMG 0602	76,00 EUR
D104.22.2.25.3	GW2D D22-25 SP07	22	44	25	55	34	116	SPMG 07T3	78,00 EUR
D104.23.2.25.3	GW2D D23-25 SP07	23	46	25	55	41	118	SPMG 07T3	80,00 EUR
D104.24.2.25.3	GW2D D24-25 SP07	24	48	25	55	41	120	SPMG 07T3	82,00 EUR
D104.25.2.25.3	GW2D D25-25 SP07	25	50	25	55	41	122	SPMG 07T3	84,00 EUR
D104.26.2.32.3	GW2D D26-32 SP07	26	52	32	60	41	124	SPMG 07T3	86,00 EUR
D104.27.2.32.3	GW2D D27-32-SP07	27	54	32	60	41	126	SPMG 07T3	88,00 EUR
D104.28.2.32.3	GW2D D28-32-SP09	28	56	32	60	44	128	SPMG 0904	90,00 EUR
D104.29.2.32.3	GW2D D29-32-SP09	29	58	32	60	44	130	SPMG 0904	92,00 EUR
D104.30.2.32.3	GW2D D30-32-SP09	30	60	32	60	44	132	SPMG 0904	94,00 EUR
D104.31.2.32.3	GW2D D31-32-SP09	31	62	32	60	44	134	SPMG 0904	96,00 EUR
D104.32.2.32.3	GW2D D32-32-SP09	32	64	32	60	44	136	SPMG 0904	98,00 EUR
D104.33.2.32.3	GW2D D33-32-SP09	33	66	32	60	49	138	SPMG 0904	100,00 EUR
D104.34.2.32.3	GW2D D34-32-SP11	34	68	32	60	49	140	SPMG 1104	102,00 EUR
D106.35.2.32.3	GW2D D35-32-SP11	35	70	32	60	49	142	SPMG 1104	104,00 EUR
D104.36.2.32.3	GW2D D36-32-SP11	36	72	32	60	44	144	SPMG 1104	106,00 EUR
D104.37.2.32.3	GW2D D37-32-SP11	37	74	32	60	49	146	SPMG 1104	108,00 EUR
D104.38.2.32.3	GW2D D38-32-SP11	38	76	32	60	49	148	SPMG 1104	110,00 EUR
D104.39.2.32.3	GW2D D39-32-SP11	39	78	32	60	49	150	SPMG 1104	112,00 EUR
D104.40.2.32.3	GW2D D40-32-SP11	40	80	32	60	49	152	SPMG 1104	114,00 EUR
D104.41.2.32.3	GW2D D41-32-SP11	41	82	32	60	49	154	SPMG 1104	116,00 EUR

Spare parts, parts included in delivery

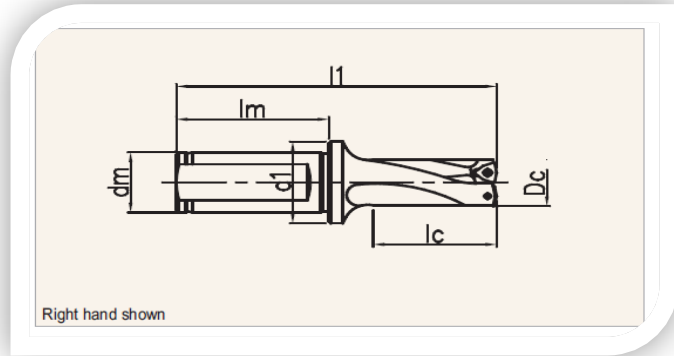
For insert	Insert screw	Wrench				
SPMG 0502	A101.101 (M2.2)	A106.101 (T6)				
SPMG 0602	A101.101 (M2.2)	A106.101 (T6)				
SPMG 07T3	A101.103 (M2.5)	A107.101 (T8)				
SPMG 0904	A101.106 (M3.5)	A107.102(T15)				
SPMG 1104	A101.106 (M3.5)	A107.102(T15)				

Please check availability in current price and stock list

Indexable insert drills



Drilling depth $3 \times D_c$



Unit mm

Order code	Part code	Dimensions						Master insert	PRICE
		Dc	lc	dm	lm	d1	l1		
D105.13.3.20.3	GW3D D13-20 SP05	13	39	20	50	31	111	SPMG 0502	68,00 EUR
D105.14.3.20.3	GW3D D14-20 SP05	14	42	20	50	31	113	SPMG 0502	70,00 EUR
D105.15.3.20.3	GW3D D15-20 SP05	15	45	20	50	31	116	SPMG 0502	72,00 EUR
D105.16.3.25.3	GW3D D16-25 SP05	16	48	25	55	34	119	SPMG 0502	74,00 EUR
D105.17.3.25.3	GW3D D17-25-SP06	17	51	25	55	34	131	SPMG 0602	76,00 EUR
D105.18.3.25.3	GW3D D18-25-SP06	18	54	25	55	34	134	SPMG 0602	78,00 EUR
D105.19.3.25.3	GW3D D19-25 SP06	19	57	25	55	34	137	SPMG 0602	80,00 EUR
D105.20.3.25.3	GW3D D20-25 SP06	20	60	25	55	34	140	SPMG 0602	82,00 EUR
D105.21.3.25.3	GW3D D21-25 SP06	21	63	25	55	34	143	SPMG 0602	84,00 EUR
D105.22.3.25.3	GW3D D22-25 SP07	22	66	25	55	34	146	SPMG 07T3	86,00 EUR
D105.23.3.25.3	GW3D D23-25 SP07	23	69	25	55	41	156	SPMG 07T3	89,00 EUR
D105.24.3.25.3	GW3D D24-25 SP07	24	72	25	55	41	159	SPMG 07T3	92,00 EUR
D105.25.3.25.3	GW3D D25-25 SP07	25	75	25	55	41	162	SPMG 07T3	95,00 EUR
D105.26.3.32.3	GW3D D26-32 SP07	26	78	32	60	41	165	SPMG 07T3	98,00 EUR
D105.27.3.32.3	GW3D D27-32-SP07	27	81	32	60	41	168	SPMG 07T3	100,00 EUR
D105.28.3.32.3	GW3D D28-32-SP09	28	84	32	60	44	172	SPMG 0904	102,00 EUR
D105.29.3.32.3	GW3D D29-32-SP09	29	87	32	60	44	175	SPMG 0904	104,00 EUR
D105.30.3.32.3	GW3D D30-32-SP09	30	90	32	60	44	178	SPMG 0904	106,00 EUR
D105.31.3.32.3	GW3D D31-32-SP09	31	93	32	60	44	181	SPMG 0904	108,00 EUR
D105.32.3.32.3	GW3D D32-32-SP09	32	96	32	60	44	184	SPMG 0904	110,00 EUR
D105.33.3.32.3	GW3D D33-32-SP09	33	99	32	60	49	187	SPMG 0904	112,00 EUR
D105.34.3.32.3	GW3D D34-32-SP11	34	102	32	60	49	190	SPMG 1104	114,00 EUR
D106.35.3.32.3	GW3D D35-32-SP11	35	105	32	60	49	193	SPMG 1104	116,00 EUR
D105.36.3.32.3	GW3D D36-32-SP11	36	108	32	60	44	184	SPMG 1104	118,00 EUR
D105.37.3.32.3	GW3D D37-32-SP11	37	111	32	60	49	187	SPMG 1104	120,00 EUR
D105.38.3.32.3	GW3D D38-32-SP11	38	114	32	60	49	190	SPMG 1104	122,00 EUR
D105.39.3.32.3	GW3D D39-32-SP11	39	117	32	60	49	193	SPMG 1104	124,00 EUR
D105.40.3.32.3	GW3D D40-32-SP11	40	120	32	60	49	190	SPMG 1104	126,00 EUR
D105.41.3.32.3	GW3D D41-32-SP11	41	123	32	60	49	193	SPMG 1104	128,00 EUR

Spare parts, parts included in delivery

For insert	Insert screw	Wrench				
SPMG 0502	A101.101 (M2.2)	A106.101 (T6)				
SPMG 0602	A101.101 (M2.2)	A106.101 (T6)				
SPMG 07T3	A101.103 (M2.5)	A107.101 (T8)				
SPMG 0904	A101.106 (M3.5)	A107.102 (T15)				
SPMG 1104	A101.106 (M3.5)	A107.102 (T15)				

Please check availability in current price and stock list