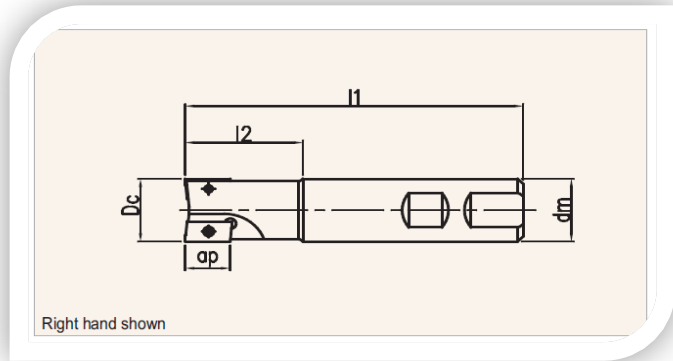


## 90° End milling cutters



Entering angle 90°



Unit mm

Order code	Part code	Dimensions					z	Master insert	PRICE
		Dc	dm	l1	l2	ap			
<b>B101.25.25.100.2.1</b>	GEM90AD152-D25-25-100	25	25	100	45	15	2	ADKT 1505	30,00 EUR
<b>B101.28.25.100.2.1</b>	GEM90AD152-D28-25-100	28	25	100	45	15	2	ADKT 1505	33,00 EUR
<b>B101.30.25.100.3.1</b>	GEM90AD153-D30-25-100	30	25	100	45	15	3	ADKT 1505	36,00 EUR
<b>B101.32.25.100.3.1</b>	GEM90AD153-D32-25-100	32	25	100	45	15	3	ADKT 1505	39,00 EUR
<b>B101.35.25.100.3.1</b>	GEM90AD153-D35-25-100	35	25	100	45	15	3	ADKT 1505	42,00 EUR
<b>B101.40.25.100.3.1</b>	GEM90AD153-D40-25-100	40	25	100	45	15	3	ADKT 1505	45,00 EUR
<b>B101.25.25.120.2.1</b>	GEM90AD152-D25-25-120	25	25	120	45	15	2	ADKT 1505	33,00 EUR
<b>B101.28.25.120.2.1</b>	GEM90AD152-D28-25-120	28	25	120	45	15	2	ADKT 1505	36,00 EUR
<b>B101.30.25.120.3.1</b>	GEM90AD153-D30-25-120	30	25	120	45	15	3	ADKT 1505	39,00 EUR
<b>B101.32.25.120.3.1</b>	GEM90AD153-D32-25-120	32	25	120	45	15	3	ADKT 1505	42,00 EUR
<b>B101.35.25.120.3.1</b>	GEM90AD153-D35-25-120	35	25	120	45	15	3	ADKT 1505	45,00 EUR
<b>B101.40.25.120.3.1</b>	GEM90AD153-D40-25-120	40	25	120	45	15	3	ADKT 1505	48,00 EUR

Spare parts, parts included in delivery

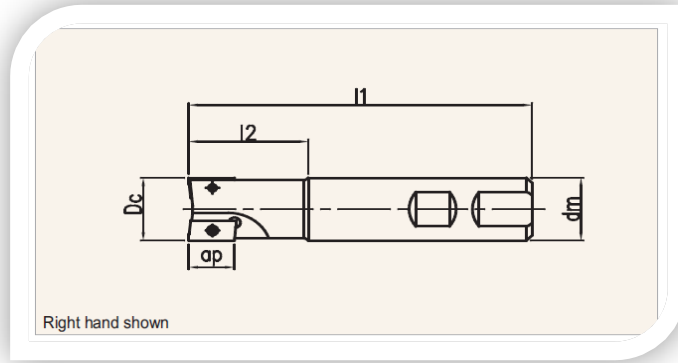
For insert	Insert screw	Wrench					
ADLT 1503	A101.106 (M3.5)	A107.102 (T15)					

Please check availability in current price and stock list

## 90° End milling cutters



Entering angle 90°



Unit mm

Order code. Sipariş kodu	Part code. Ürün kodu	Dimensions-Ölçüler					z	Master insert	PRICE
		Dc	dm	l1	l2	ap			
<b>B103.12.12.100.1.1</b>	GEM90AP101-D12-12-100	12	12	100	30	10	1	APKT 1003	18,00 EUR
<b>B103.14.14.100.1.1</b>	GEM90AP101-D14-14-100	14	14	100	30	10	1	APKT 1003	20,00 EUR
<b>B103.16.16.100.2.1</b>	GEM90AP102-D16-16-100	16	16	100	30	10	2	APKT 1003	22,00 EUR
<b>B103.18.16.100.2.1</b>	GEM90AP102-D18-16-100	18	16	100	30	10	2	APKT 1003	24,00 EUR
<b>B103.20.20.100.2.1</b>	GEM90AP102-D20-20-100	20	20	100	30	10	2	APKT 1003	26,00 EUR
<b>B103.22.20.100.3.1</b>	GEM90AP103-D22-20-100	22	20	100	30	10	3	APKT 1003	28,00 EUR
<b>B103.25.25.100.3.1</b>	GEM90AP103-D25-25-100	25	25	100	30	10	3	APKT 1003	30,00 EUR
<b>B103.28.25.100.3.1</b>	GEM90AP103-D28-25-100	28	25	100	30	10	3	APKT 1003	33,00 EUR
<b>B103.12.12.120.1.1</b>	GEM90AP101-D12-12-120	12	12	120	30	10	1	APKT 1003	21,00 EUR
<b>B103.14.14.120.1.1</b>	GEM90AP101-D14-14-120	14	14	120	30	10	1	APKT 1003	23,00 EUR
<b>B103.16.16.120.2.1</b>	GEM90AP102-D16-16-120	16	16	120	30	10	2	APKT 1003	25,00 EUR
<b>B103.18.16.120.2.1</b>	GEM90AP102-D18-16-120	18	16	120	30	10	2	APKT 1003	27,00 EUR
<b>B103.20.20.120.2.1</b>	GEM90AP102-D20-20-120	20	20	120	30	10	2	APKT 1003	29,00 EUR
<b>B103.22.20.120.3.1</b>	GEM90AP103-D22-20-120	22	20	120	30	10	3	APKT 1003	31,00 EUR
<b>B103.25.25.120.3.1</b>	GEM90AP103-D25-25-120	25	25	120	45	10	3	APKT 1003	33,00 EUR
<b>B103.28.25.120.3.1</b>	GEM90AP103-D28-25-120	28	25	120	30	10	3	APKT 1003	36,00 EUR
<b>B103.30.25.120.4.1</b>	GEM90AP104-D30-25-120	30	25	120	40	10	4	APKT 1003	39,00 EUR
<b>B103.32.25.120.4.1</b>	GEM90AP104-D32-25-120	32	25	120	40	10	4	APKT 1003	42,00 EUR
<b>B103.35.25.120.4.1</b>	GEM90AP104-D35-25-120	35	25	120	40	10	4	APKT 1003	45,00 EUR

Spare parts, parts included in delivery

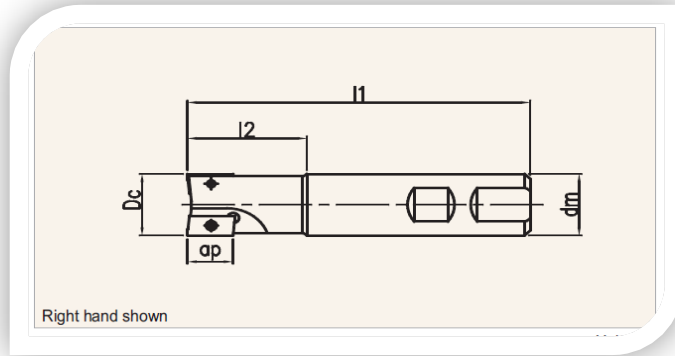
For insert	Insert screw	Wrench				
APKT 1003	A101.103 (M2.5)	A107.101 (T8)				

Please check availability in current price and stock list

## 90° End milling cutters



Entering angle 90°



Unit mm

Order code	Part code	Dimensions					z	Master insert	PRICE
		Dc	dm	l1	l2	ap			
<b>B103.16.16.150.2.1</b>	GEM90AP102-D16-16-150	16	16	150	30	10	2	APKT 1003	28,00 EUR
<b>B103.18.16.150.2.1</b>	GEM90AP102-D18-16-150	18	16	150	30	10	2	APKT 1003	30,00 EUR
<b>B103.20.20.150.2.1</b>	GEM90AP102-D20-20-150	20	20	150	30	10	2	APKT 1003	32,00 EUR
<b>B103.22.20.150.3.1</b>	GEM90AP103-D22-20-150	22	20	150	30	10	3	APKT 1003	34,00 EUR
<b>B103.25.25.150.3.1</b>	GEM90AP103-D25-25-150	25	25	150	45	10	3	APKT 1003	36,00 EUR
<b>B103.28.25.150.3.1</b>	GEM90AP103-D28-25-150	28	25	150	50	10	3	APKT 1003	39,00 EUR
<b>B103.30.25.150.4.1</b>	GEM90AP104-D30-25-150	30	25	150	50	10	4	APKT 1003	42,00 EUR
<b>B103.32.25.150.4.1</b>	GEM90AP104-D32-25-150	32	25	150	50	10	4	APKT 1003	45,00 EUR
<b>B103.35.25.150.4.1</b>	GEM90AP104-D35-25-150	35	25	150	50	10	4	APKT 1003	48,00 EUR
<b>B103.40.25.150.4.1</b>	GEM90AP104-D40-25-150	40	25	150	50	10	4	APKT 1003	51,00 EUR
<b>B103.16.16.200.2.1</b>	GEM90AP102-D16-16-200	16	16	200	30	10	2	APKT 1003	31,00 EUR
<b>B103.18.16.200.2.1</b>	GEM90AP102-D18-16-200	18	16	200	30	10	2	APKT 1003	33,00 EUR
<b>B103.20.20.200.2.1</b>	GEM90AP102-D20-20-200	20	20	200	30	10	2	APKT 1003	35,00 EUR
<b>B103.22.20.200.3.1</b>	GEM90AP103-D22-20-200	22	20	200	45	10	3	APKT 1003	37,00 EUR
<b>B103.25.25.200.3.1</b>	GEM90AP103-D25-25-200	25	25	200	50	10	3	APKT 1003	39,00 EUR
<b>B103.28.25.200.3.1</b>	GEM90AP103-D28-25-200	28	25	200	50	10	3	APKT 1003	42,00 EUR
<b>B103.30.25.200.4.1</b>	GEM90AP104-D30-25-200	30	25	200	50	10	4	APKT 1003	45,00 EUR
<b>B103.32.25.200.4.1</b>	GEM90AP104-D32-25-200	32	25	200	50	10	4	APKT 1003	48,00 EUR
<b>B103.35.25.200.4.1</b>	GEM90AP104-D35-25-200	35	25	200	50	10	4	APKT 1003	51,00 EUR
<b>B103.40.25.200.4.1</b>	GEM90AP104-D40-25-200	40	25	200	50	10	4	APKT 1003	54,00 EUR

Spare parts, parts included in delivery

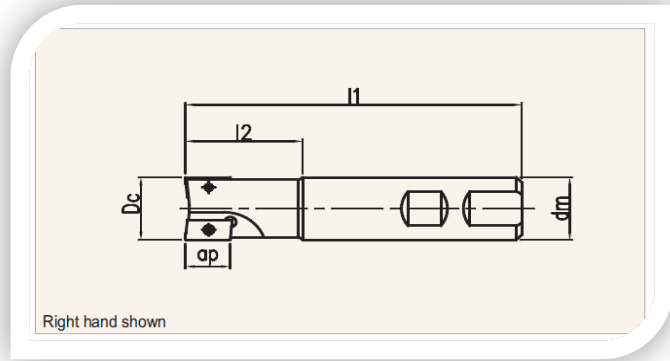
For insert	Insert screw	Wrench				
APKT 1003	A101.103 (M2.5)	A107.101 (T8)				

Please check availability in current price and stock list

## 90° End milling cutters



Entering angle 90°



Unit mm

Order code	Part code	Dimensions					z	Master insert	PRICE
		Dc	dm	l1	l2	ap			
<b>B104.25.25.120.2.1</b>	GEM90AP162-D25-25-120	25	25	120	45	16	2	APKT 1604	33,00 EUR
<b>B104.30.25.120.2.1</b>	GEM90AP162-D30-25-120	30	25	120	45	16	2	APKT 1604	36,00 EUR
<b>B104.32.25.120.2.1</b>	GEM90AP162-D32-25-120	32	25	120	45	16	2	APKT 1604	39,00 EUR
<b>B104.35.25.120.3.1</b>	GEM90AP163-D35-25-120	35	25	120	45	16	3	APKT 1604	42,00 EUR
<b>B104.40.25.120.3.1</b>	GEM90AP163-D40-25-120	40	25	120	45	16	3	APKT 1604	45,00 EUR
<b>B104.45.25.120.4.1</b>	GEM90AP164-D45-25-120	45	25	120	45	16	4	APKT 1604	48,00 EUR
<b>B104.50.25.120.4.1</b>	GEM90AP164-D50-25-120	50	25	120	45	16	4	APKT 1604	51,00 EUR
<b>B104.50.32.120.4.1</b>	EM90AP164-D50-32-120	50	32	120	45	16	4	APKT 1604	51,00 EUR
<b>B104.25.25.150.2.1</b>	GEM90AP162-D25-25-150	25	25	150	45	16	2	APKT 1604	36,00 EUR
<b>B104.30.25.150.2.1</b>	GEM90AP162-D30-25-150	30	25	150	45	16	2	APKT 1604	39,00 EUR
<b>B104.32.25.150.2.1</b>	GEM90AP162-D32-25-150	32	25	150	45	16	2	APKT 1604	42,00 EUR
<b>B104.35.25.150.3.1</b>	GEM90AP163-D35-25-150	35	25	150	45	16	3	APKT 1604	45,00 EUR
<b>B104.40.25.150.3.1</b>	GEM90AP163-D40-25-150	40	25	150	45	16	3	APKT 1604	48,00 EUR
<b>B104.45.25.150.4.1</b>	GEM90AP164-D45-25-150	45	25	150	45	16	4	APKT 1604	51,00 EUR
<b>B104.50.25.150.4.1</b>	GEM90AP164-D50-25-150	50	25	150	45	16	4	APKT 1604	54,00 EUR
<b>B104.50.32.150.4.1</b>	GEM90AP164-D50-32-150	50	32	150	45	16	4	APKT 1604	54,00 EUR

Spare parts, parts included in delivery

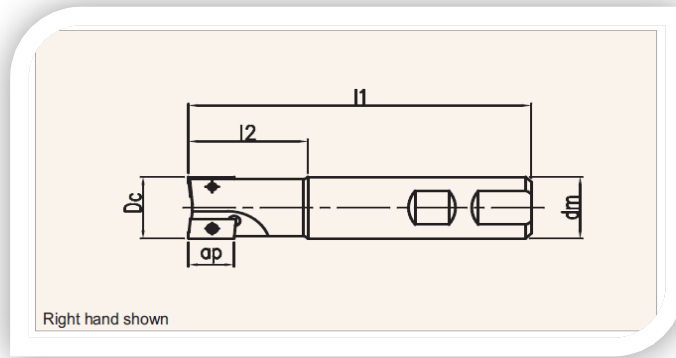
For insert	Insert screw	Wrench
APKT 1604	A101.106 (M3.5)	A107.102 (T15)

Please check availability in current price and stock list

## 90° End milling cutters



Entering angle 90°



Unit mm

Order code.	Part code	Dimensions					z	Master insert	PRICE
		Dc	dm	l1	l2	ap			
<b>B104.25.25.200.2.1</b>	GEM90AP162-D25-25-200	25	25	200	45	16	2	APKT 1604	36,00 EUR
<b>B104.30.25.200.2.1</b>	GEM90AP162-D30-25-200	30	25	200	45	16	2	APKT 1604	39,00 EUR
<b>B104.32.25.200.2.1</b>	GEM90AP162-D32-25-200	32	25	200	45	16	2	APKT 1604	42,00 EUR
<b>B104.35.25.200.3.1</b>	GEM90AP163-D35-25-200	35	25	200	45	16	3	APKT 1604	45,00 EUR
<b>B104.40.25.200.3.1</b>	GEM90AP163-D40-25-200	40	25	200	45	16	3	APKT 1604	48,00 EUR
<b>B104.45.25.200.4.1</b>	GEM90AP164-D45-25-200	45	25	200	45	16	4	APKT 1604	51,00 EUR
<b>B104.50.25.200.4.1</b>	GEM90AP164-D50-25-200	50	25	200	45	16	4	APKT 1604	54,00 EUR
<b>B104.50.32.200.4.1</b>	GEM90AP164-D50-32-200	50	32	200	45	16	4	APKT 1604	54,00 EUR

Spare parts, parts included in delivery

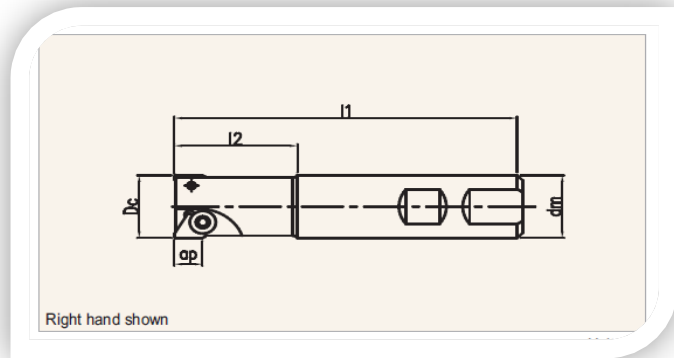
For insert	Insert screw	Wrench					
APKT 1604	A101.106 (M3.5)	A107.102 (T15)					

Please check availability in current price and stock list

## 90° End milling cutters



Entering angle 90°



Unit mm

Order code	Part code	Dimensions						z	Master insert	PRICE
		Dc	dm	l1	l2	ap				
<b>B105.22.20.100.2.1</b>	EM90TP112-D22-20-100	22	20	100	45	11	2	TPKN 1103	27,00 EUR	
<b>B105.25.25.100.2.1</b>	EM90TP112-D25-25-100	25	25	100	45	11	2	TPKN 1103	29,00 EUR	
<b>B105.28.25.100.2.1</b>	EM90TP112-D28-25-100	28	25	100	45	11	2	TPKN 1103	32,00 EUR	
<b>B105.30.25.100.3.1</b>	EM90TP113-D30-25-100	30	25	100	45	11	3	TPKN 1103	33,00 EUR	
<b>B105.32.25.100.3.1</b>	EM90TP113-D32-25-100	32	25	100	45	11	3	TPKN 1103	35,00 EUR	
<b>B105.35.25.100.3.1</b>	EM90TP113-D35-25-100	35	25	100	45	11	3	TPKN 1103	38,00 EUR	
<b>B105.22.20.120.2.1</b>	EM90TP112-D22-20-120	22	20	120	45	11	2	TPKN 1103	30,00 EUR	
<b>B105.25.25.120.2.1</b>	EM90TP112-D25-25-120	25	25	120	45	11	2	TPKN 1103	32,00 EUR	
<b>B105.28.25.120.2.1</b>	EM90TP112-D28-25-120	28	25	120	45	11	2	TPKN 1103	34,00 EUR	
<b>B105.30.25.120.3.1</b>	EM90TP113-D30-25-120	30	25	120	45	11	3	TPKN 1103	36,00 EUR	
<b>B105.32.25.120.3.1</b>	EM90TP113-D32-25-120	32	25	120	45	11	3	TPKN 1103	38,00 EUR	
<b>B105.35.25.120.3.1</b>	EM90TP113-D35-25-120	35	25	120	45	11	3	TPKN 1103	41,00 EUR	

Spare parts, parts included in delivery

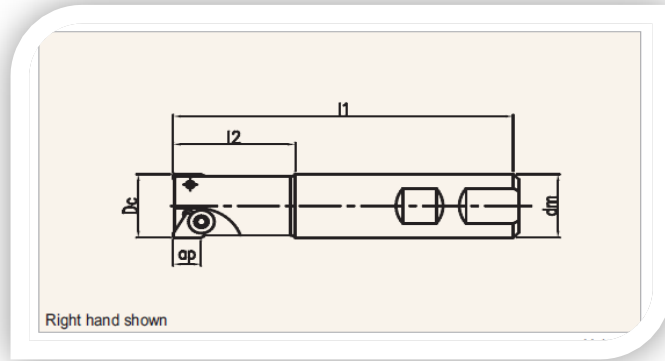
For insert	Insert screw	Wrench					
TPKN 1103	A104.101 (M6x0.75x13.5)	A109.105 (3 HK)					

Please check availability in current price and stock list

## 90° End milling cutters



Entering angle 90°



Unit mm

Order code	Part code	Dimensions						z	Master insert	PRICE
		Dc	dm	l1	l2	ap				
<b>B106.35.25.100.2.1</b>	EM90TP162-D35-25-100	35	25	100	45	16	2	TPKN 1603	38,00 EUR	
<b>B106.40.25.100.3.1</b>	EM90TP163-D40-25-100	40	25	100	45	16	3	TPKN 1603	40,00 EUR	
<b>B106.45.25.100.3.1</b>	EM90TP163-D45-25-100	45	25	100	45	16	3	TPKN 1603	42,00 EUR	
<b>B106.50.32.100.3.1</b>	EM90TP163-D50-32-100	50	32	100	45	16	3	TPKN 1603	44,00 EUR	
<b>B106.35.25.120.2.1</b>	EM90TP162-D35-25-120	35	25	120	45	16	2	TPKN 1603	41,00 EUR	
<b>B106.40.25.120.3.1</b>	EM90TP163-D40-25-120	40	25	120	45	16	3	TPKN 1603	43,00 EUR	
<b>B106.45.25.120.3.1</b>	EM90TP163-D45-25-120	45	25	120	45	16	3	TPKN 1603	45,00 EUR	
<b>B106.50.32.120.3.1</b>	EM90TP163-D50-32-120	50	32	120	45	16	3	TPKN 1603	47,00 EUR	
<b>B107.50.32.120.3.1</b>	EM90TP223-D50-32-120	50	32	120	45	22	3	TPKN 2204	47,00 EUR	

Spare parts, parts included in delivery

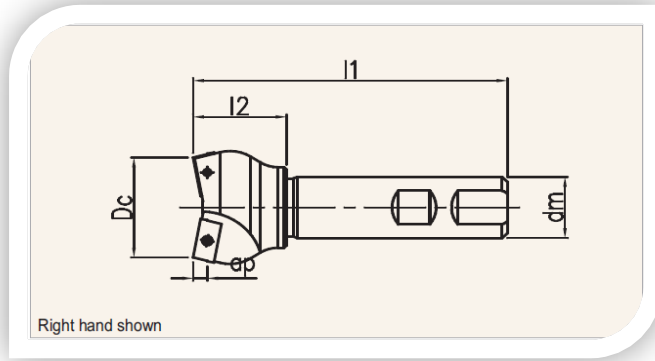
For insert	Insert screw	Wrench
TPKN 1603	A104.102 (M6x0.75x16)	A109.107 (4 HK)
TPKN 2204	A104.103 (M8x1x24)	A109.109 (5 HK)

Please check availability in current price and stock list

### 75° End milling cutters



Entering angle 75°



Unit mm

Order code	Part code	Dimensions					z	Master insert	PRICE
		Dc	dm	l1	l2	ap			
<b>B108.25.25.125.2.1</b>	EM75AP102-D25-25-125	25	25	125	40	4	2	APKT 1003	38,00 EUR
<b>B108.30.25.125.3.1</b>	EM75AP103-D30-25-125	30	25	125	40	4	3	APKT 1003	40,00 EUR
<b>B108.40.25.125.3.1</b>	EM75AP103-D40-25-125	40	25	125	40	4	3	APKT 1003	42,00 EUR
<b>B108.50.32.125.4.1</b>	EM75AP104-D50-32-125	50	32	125	40	4	4	APKT 1003	44,00 EUR
<b>B108.63.32.125.5.1</b>	EM75AP105-D63-32-125	63	32	125	40	4	5	APKT 1003	46,00 EUR

Spare parts, parts included in delivery

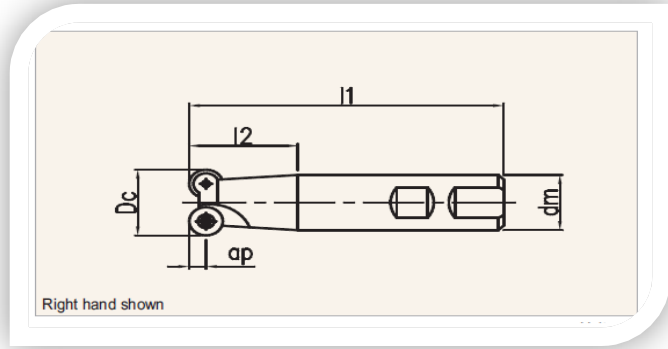
For insert	Insert screw	Wrench				
APKT 1003	A101.103 (M2.5)	A107.101 (T8)				

Please check availability in current price and stock list





## Copy end milling cutters



Unit mm

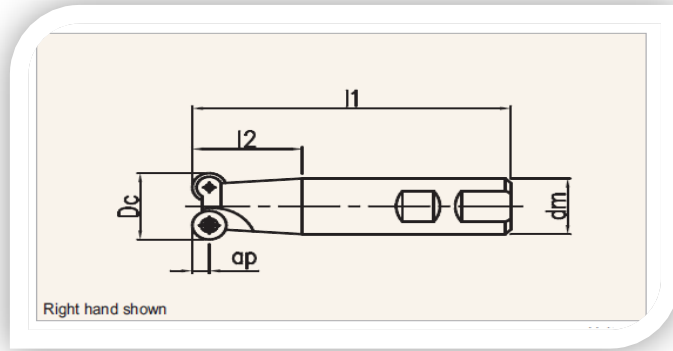
Order code	Part code	Dimensions					z	Master insert	PRICE
		Dc	dm	l1	l2	ap			
<b>B110.12.12.100.2.1</b>	EMRC062-D12-12-100	12	12	100	30	3	2	RCMT 0602	38,00 EUR
<b>B110.12.12.120.2.1</b>	EMRC062-D12-12-120	12	12	120	30	3	2	RCMT 0602	40,00 EUR
<b>B110.12.12.150.2.1</b>	EMRC062-D12-12-150	12	12	150	30	3	2	RCMT 0602	42,00 EUR
<b>B110.16.16.150.2.1</b>	EMRC062-D16-16-150	16	16	150	50	3	2	RCMT 0602	48,00 EUR

Spare parts, parts included in delivery

For insert	Insert screw	Wrench					
RCMT 0602	A101.103 (M2.5)	A107.101 (T8)					

Please check availability in current price and stock list

## Copy end milling cutters



Unit mm

Order code	Part code	Dimensions-Ölçüler					z	Master insert	PRICE
		Dc	dm	l1	l2	ap			
<b>B111.25.25.180.2.1</b>	EMRD122-D25-25-180	25	25	180	60	6	2	RDMW 12T3	40,00 EUR
<b>B111.32.32.200.2.1</b>	EMRD122-D32-32-200	32	32	200	80	6	2	RDMW 12T3	46,00 EUR
<b>B111.40.32.200.3.1</b>	EMRD123-D40-32-200	40	32	200	40	6	3	RDMW 12T3	51,00 EUR
<b>B111.50.32.200.4.1</b>	EMRD124-D50-32-200	50	32	200	40	6	4	RDMW 12T3	54,00 EUR
<b>B112.25.25.180.2.1</b>	EMRD122-D25-25-180	25	25	180	60	6	2	RDMW 1204	40,00 EUR
<b>B112.32.32.200.2.1</b>	EMRD122-D32-32-200	32	32	200	80	6	2	RDMW 1204	46,00 EUR
<b>B112.40.32.200.3.1</b>	EMRD123-D40-32-200	40	32	200	40	6	3	RDMW 1204	51,00 EUR
<b>B112.50.32.200.4.1</b>	EMRD124-D50-32-200	50	32	200	40	6	4	RDMW 1204	54,00 EUR

Spare parts, parts included in delivery

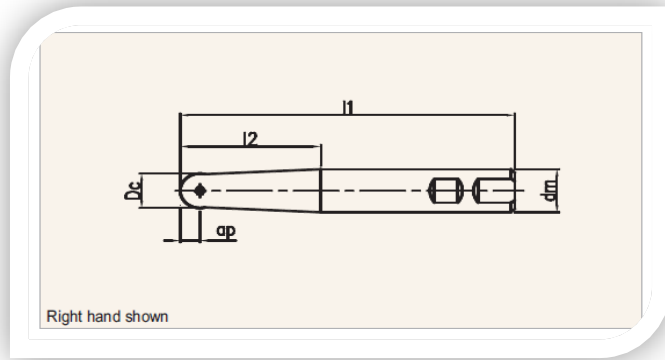
For insert	Insert screw	Wrench
RDMW 12T3	A101.106 (M3.5)	A107.102 (T15)
RDMW 1204	A101.106 (M3.5)	A107.102 (T15)

Please check availability in current price and stock list

## Ball nose milling cutters



Right hand shown



Unit mm

Order code	Part code	Dimensions					Master insert	PRICE
		Dc	dm	l1	l2	ap		
<b>B113.10.12.150.1</b>	BN-D10-12-150	10	12	150	40	5	P320-D10	38,00 EUR
<b>B113.12.16.160.1</b>	BN-D12-16-160	12	16	160	50	6	P320-D12	42,00 EUR
<b>B113.16.20.170.1</b>	BN-D16-20-170	16	20	170	60	8	P320-D16	47,00 EUR
<b>B113.20.25.190.1</b>	BN-D20-25-190	20	25	190	75	10	P320-D20	51,00 EUR
<b>B113.25.32.210.1</b>	BN-D25-32-210	25	32	210	100	125	P320-D25	55,00 EUR
<b>B114.08.10.110.1</b>	BN-D08-10-110	08	10	110	25	4	P320-D08	34,00 EUR
<b>B114.10.12.110.1</b>	BN-D10-12-110	10	12	110	30	5	P320-D10	36,00 EUR
<b>B114.10.12.130.1</b>	BN-D10-12-130	10	12	130	35	5	P320-D10	38,00 EUR

Spare parts, parts included in delivery

For tool	Insert screw	Wrench	For tool	Insert screw	Wrench
B112.10....	A101.111 (M4)	A107.102 (T15)	B112.25....	A101.115 (M6)	A107.103 (T20)
B112.12....	A101.112 (M5)	A107.103 (T20)	B113.08....	A101.110 (M3)	A107.101 (T8)
B112.16....	A101.113 (M5)	A107.103 (T20)	B113.10....	A101.111 (M4)	A107.102 (T15)
B112.20....	A101.114 (M5)	A107.103 (T20)	B113.10....	A101.111 (M4)	A107.102 (T15)

Please check availability in current price and stock list