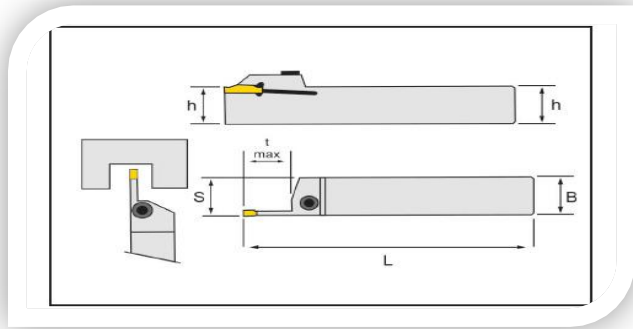


## Grooving toolholders external



Right hand shown

Unit mm



Application	Insert	Order code	Part code	Dimensions				Master insert	PRICE
				h	b	l <sub>1</sub>	T <sub>max</sub>		
								<b>ZGC</b>	
		<b>G101.20.20.125.2.1/2</b>	EGTR / L 2020 ZCC2 2C	20	20	125	15	ZT.D 2	50,00 EUR
		<b>G101.25.25.150.2.1/2</b>	EGTR / L 2525 ZCC2 2C	25	25	150	15	ZT.D 2	53,00 EUR
		<b>G101.20.20.125.3.1/2</b>	EGTR / L 2020 ZCC2 3C	20	20	125	20	ZT.D 3	50,00 EUR
		<b>G101.25.25.150.3.1/2</b>	EGTR / L 2525 ZCC2 3C	25	25	150	22	ZT.D 3	53,00 EUR
		<b>G101.20.20.125.4.1/2</b>	EGTR / L 2020 ZCC2 4C	20	20	125	20	ZT.D 4	50,00 EUR
		<b>G101.25.25.150.4.1/2</b>	EGTR / L 2525 ZCC2 4C	25	25	150	22	ZT.D 4	53,00 EUR
		<b>G101.20.20.125.5.1/2</b>	EGTR / L 2020 ZCC2 5C	20	20	125	20	ZT.D 5	50,00 EUR
		<b>G101.25.25.150.5.1/2</b>	EGTR / L 2525 ZCC2 5C	25	25	150	25	ZT.D 5	53,00 EUR
		<b>G101.25.25.150.6.1/2</b>	EGTR / L 2525 ZCC2 6C	25	25	150	25	ZT.D 6	53,00 EUR

Spare parts, parts included in delivery

Designation	Clamp	Clamping screw	Wrench	Shim	Shim screw	Spring
		CS102 (M6)	W102.1 (HK5)			

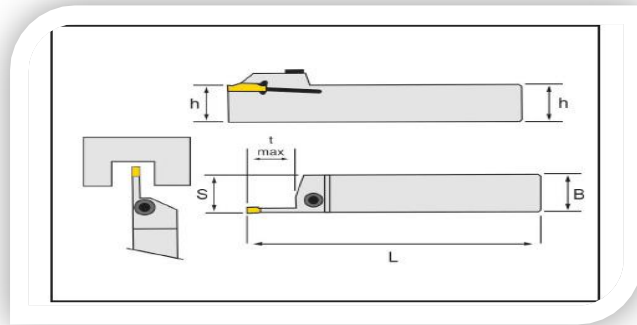
Please check availability in current price and stock list

## Grooving toolholders external



Right hand shown

Unit mm



Application	Insert	Order code	Part code	Dimensions				Master insert	PRICE
				h	b	l <sub>1</sub>	T <sub>max</sub>		
								<b>SANDVIK</b>	
		<b>G103.16.16.100.2.1/2</b>	EGTR / L 1616 S123 2C	16	16	100	15	S123.2	47,00 EUR
		<b>G103.20.20.125.2.1/2</b>	EGTR / L 2020 S123 2C	20	20	125	15	S123.2	50,00 EUR
		<b>G103.25.25.150.2.1/2</b>	EGTR / L 2525 S123 2C	25	25	150	20	S123.2	53,00 EUR
		<b>G103.16.16.100.3.1/2</b>	EGTR / L 1616 S123 3C	16	16	100	15	S123.3	47,00 EUR
		<b>G103.20.20.125.3.1/2</b>	EGTR / L 2020 S123 3C	20	20	125	20	S123.3	50,00 EUR
		<b>G103.25.25.150.3.1/2</b>	EGTR / L 2525 S123 3C	25	25	150	22	S123.3	53,00 EUR
		<b>G103.20.20.125.4.1/2</b>	EGTR / L 2020 S123 4C	20	20	125	20	S123.4	50,00 EUR
		<b>G103.25.25.150.4.1/2</b>	EGTR / L 2525 S123 4C	25	25	150	22	S123.4	53,00 EUR
		<b>G103.25.25.150.5.1/2</b>	EGTR / L 2525 S123 5C	25	25	150	25	S123.5	53,00 EUR

Spare parts, parts included in delivery

Designation	Clamp	Clamping screw	Wrench	Shim	Shim screw	Spring
		CS102 (M6)	W102.1 (HK5)			

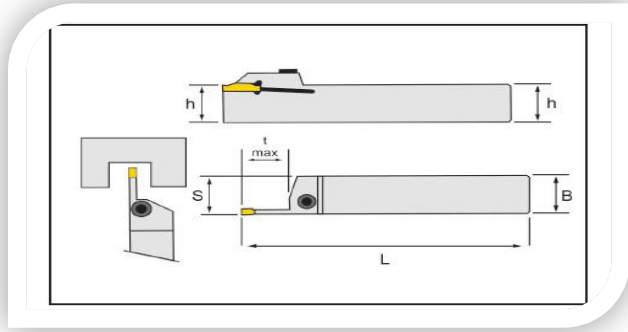
Please check availability in current price and stock list

## Grooving toolholders external



Right hand shown

Unit mm



		Dimensions							
Application	Insert	Order code	Part code	h	b	l1	T <sub>max</sub>	Master insert	PRICE
								<b>SANDVIK</b>	
		<b>G105.20.20.125.2.1/2</b>	EGTR / L 2020 154.91 3Q	20	20	125	4	154.91-3	50,00 EUR
		<b>G105.25.25.150.2.1/2</b>	EGTR / L 2525 154.91 3Q	25	25	150	4	154.91-3	53,00 EUR

Spare parts, parts included in delivery

Designation	Clamp	Clamping screw	Wrench	Shim	Shim screw	Spring
		CS102 (M6)	W102.1 (HK5)			

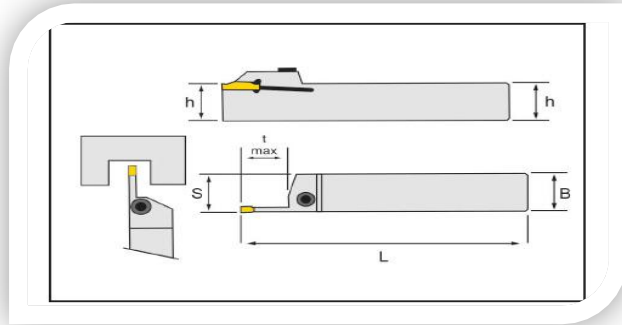
Please check availability in current price and stock list

## Grooving toolholders external



Right hand shown

Unit mm



Application	Insert	Dimensions						Master insert	PRICE
		Order code	Part code	h	b	l <sub>1</sub>	T <sub>max</sub>		
								<b>ISCAR</b>	
		<b>G107.12.12.80.2.1/2</b>	EGTR /L 1212 IS 2C	12	12	80	15	DGN.2	45,00 EUR
		<b>G107.16.16.100.2.1/2</b>	EGTR /L 1616 IS 2C	16	16	100	15	DGN.2	47,00 EUR
		<b>G107.20.20.125.2.1/2</b>	EGTR /L 2020 IS 2C	20	20	125	17	DGN.2	50,00 EUR
		<b>G107.25.25.150.2.1/2</b>	EGTR /L 2525 IS 2C	25	25	150	17	DGN.2	53,00 EUR
		<b>G107.16.16.100.2.1/2</b>	EGTR /L 1616 IS 3C	16	16	100	15	DGN.3	47,00 EUR
		<b>G107.20.20.125.2.1/2</b>	EGTR /L 2020 IS 3C	20	20	125	20	DGN.3	50,00 EUR
		<b>G107.25.25.150.2.1/2</b>	EGTR /L 2525 IS 3C	25	25	150	22	DGN.3	53,00 EUR
		<b>G107.20.20.125.4.1/2</b>	EGTR /L 2020 IS 4C	20	20	125	20	DGN.4	50,00 EUR
		<b>G107.25.25.150.4.1/2</b>	EGTR /L 2525 IS 4C	25	25	150	22	DGN.4	53,00 EUR
		<b>G107.25.25.150.5.1/2</b>	EGTR /L 2525 IS 5C	25	25	150	25	DGN.5	53,00 EUR

Spare parts, parts included in delivery

Designation	Clamp	Clamping screw	Wrench	Shim	Shim screw	Spring
		CS102 (M6)	W102.1 (HK5)			

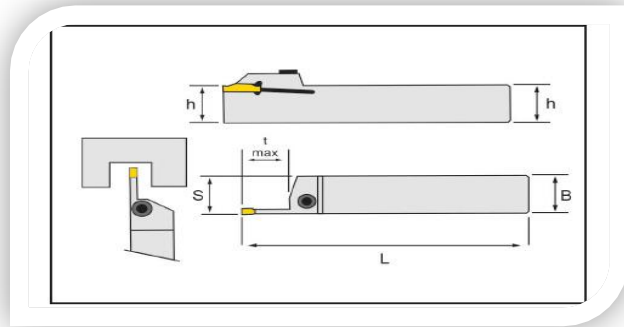
Please check availability in current price and stock list

## Grooving toolholders external



Right hand shown

Unit mm



Application	Insert	Order code	Part code	Dimensions				Master insert	PRICE
				h	b	l <sub>1</sub>	T <sub>max</sub>		
								<b>KORLOY/JD</b>	
		<b>G109.12.12.80.2.1/2</b>	EGTR /L 1212 JK 2C	12	12	80	15	MGMN.2	45,00 EUR
		<b>G109.16.16.100.2.1/2</b>	EGTR /L 1616 JK 2C	16	16	100	15	MGMN.2	47,00 EUR
		<b>G109.20.20.125.2.1/2</b>	EGTR /L 2020 JK 2C	20	20	125	15	MGMN.2	50,00 EUR
		<b>G109.25.25.150.2.1/2</b>	EGTR /L 2525 JK 2C	25	25	150	15	MGMN.2	53,00 EUR
		<b>G109.32.32.170.2.1/2</b>	EGTR/ L 3232 JK 2C	32	32	170	15	MGMN.2	56,00 EUR
		<b>G109.12.12.80.3.1/2</b>	EGTR /L 1212 JK 3C	12	12	80	15	MGMN.3	45,00 EUR
		<b>G109.16.16.100.3.1/2</b>	EGTR /L 1616 JK 3C	16	16	100	15	MGMN.3	47,00 EUR
		<b>G109.20.20.125.3.1/2</b>	EGTR /L 2020 JK 3C	20	20	125	20	MGMN.3	50,00 EUR
		<b>G109.25.25.150.3.1/2</b>	EGTR /L 2525 JK 3C	25	25	150	22	MGMN.3	53,00 EUR
		<b>G109.32.32.170.3.1/2</b>	EGTR/ L 3232 JK 3C	32	32	170	22	MGMN.3	56,00 EUR
		<b>G109.20.20.125.4.1/2</b>	EGTR /L 2020 JK 4C	20	20	125	22	MGMN.4	50,00 EUR
		<b>G109.25.25.150.4.1/2</b>	EGTR /L 2525 JK 4C	25	25	150	22	MGMN.4	53,00 EUR
		<b>G109.32.32.170.4.1/2</b>	EGTR/ L 3232 JK 4C	32	32	170	22	MGMN.4	56,00 EUR
		<b>G109.25.25.150.5.1/2</b>	EGTR /L 2020 JK 5C	25	25	150	25	MGMN.5	50,00 EUR
		<b>G109.32.32.170.5.1/2</b>	EGTR /L 2525 JK 5C	32	32	170	25	MGMN.5	53,00 EUR
		<b>G109.25.25.150.6.1/2</b>	EGTR /L 2525 JK 6C	25	25	150	25	MGMN.6	50,00 EUR
		<b>G109.32.32.170.6.1/2</b>	EGTR/ L 3232 JK 6C	32	32	170	25	MGMN.6	53,00 EUR

Spare parts, parts included in delivery

Designation	Clamp	Clamping screw	Wrench	Shim	Shim screw	Spring
		CS102 (M6)	W102.1 (HK5)			

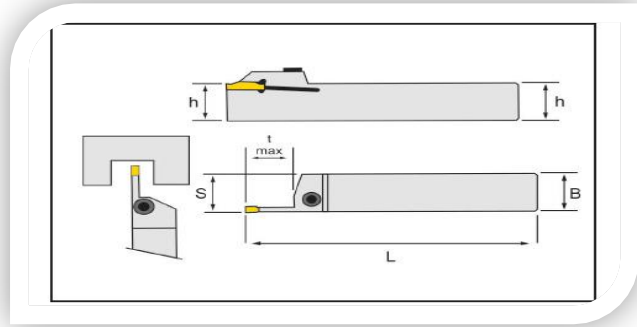
Please check availability in current price and stock list

## Grooving toolholders external



Right hand shown

Unit mm



Application	Insert	Dimensions						Master insert	PRICE
		Order code	Part code	h	b	l <sub>1</sub>	T <sub>max</sub>		
								<b>HORN</b>	
		<b>G111.12.12.80.2.1/2</b>	EGTR /L 1212 HK 2C	12	12	80	15	S224.2	45,00 EUR
		<b>G111.16.16.100.2.1/2</b>	EGTR /L 1616 HK 2C	16	16	100	15	S224.2	47,00 EUR
		<b>G111.20.20.125.2.1/2</b>	EGTR /L 2020 HK 2C	20	20	125	15	S224.2	50,00 EUR
		<b>G111.25.25.150.2.1/2</b>	EGTR /L 2525 HK 2C	25	25	150	15	S224.2	53,00 EUR
		<b>G111.20.20.125.3.1/2</b>	EGTR /L 2020 HK 3C	20	20	125	20	S224.3	50,00 EUR
		<b>G111.25.25.150.3.1/2</b>	EGTR /L 2525 HK 3C	25	25	150	22	S224.3	53,00 EUR
		<b>G111.20.20.125.4.1/2</b>	EGTR /L 2020 HK 4C	20	20	125	20	S224.4	50,00 EUR
		<b>G111.25.25.150.4.1/2</b>	EGTR /L 2525 HK 4C	25	25	150	22	S224.4	53,00 EUR
		<b>G111.20.20.1125.5.1/2</b>	EGTR /L 2020 HK 5C	20	20	125	20	S224.5	50,00 EUR
		<b>G111.25.25.1150.5.1/2</b>	EGTR /L 2525 HK 5C	25	25	150	25	S224.5	53,00 EUR

Spare parts, parts included in delivery

Designation	Clamp	Clamping screw	Wrench	Shim	Shim screw	Spring
		CS102 (M6)	W102.1 (HK5)			

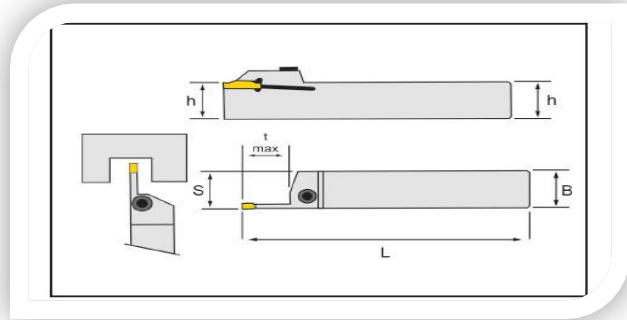
Please check availability in current price and stock list

## Grooving toolholders external



Right hand shown

Unit mm



Application	Insert	Order code	Part code	Dimensions				Master insert	PRICE
				h	b	l <sub>1</sub>	T <sub>max</sub>		
								<b>HORN</b>	
		<b>G113.20.20.125.2.1/2</b>	EGTR /L 2020 HB 2C	20	20	125	15	S229.2	50,00 EUR
		<b>G113.25.25.150.2.1/2</b>	EGTR /L 2525 HB 2C	25	25	150	15	S229.2	53,00 EUR
		<b>G113.20.20.125.3.1/2</b>	EGTR /L 2020 HB 3C	20	20	125	22	S229.3	50,00 EUR
		<b>G113.25.25.150.3.1/2</b>	EGTR /L 2525 HB 3C	25	25	150	22	S229.3	53,00 EUR
		<b>G113.32.32.170.3.1/2</b>	EGTR /L 3232 HB 3C	32	32	170	22	S229.3	56,00 EUR
		<b>G113.20.20.125.4.1/2</b>	EGTR /L 2020 HB 4C	20	20	125	22	S229.4	50,00 EUR
		<b>G113.25.25.150.4.1/2</b>	EGTR /L 2525 HB 4C	25	25	150	22	S229.4	53,00 EUR
		<b>G113.32.32.170.4.1/2</b>	EGTR /L 3232 HB 4C	32	32	170	22	S229.4	56,00 EUR
		<b>G113.25.25.150.5.1/2</b>	EGTR /L 2525 HB 5C	25	25	150	22	S229.5	50,00 EUR
		<b>G113.32.32.170.5.1/2</b>	EGTR /L 2525 HB 5C	32	32	170	22	S229.5	53,00 EUR

Spare parts, parts included in delivery

Designation	Clamp	Clamping screw	Wrench	Shim	Shim screw	Spring
		CS102 (M6)	W102.1 (HK5)			

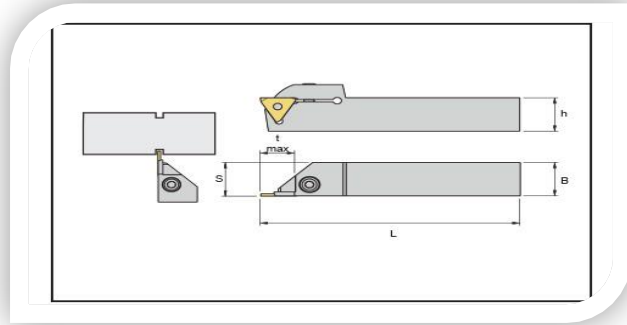
Please check availability in current price and stock list

## Grooving toolholders external



Right hand shown

Unit mm



Application	Insert	Order code	Part code	Dimensions				Master insert	PRICE
				h	b	l1	T <sub>max</sub>		
								<b>HORN</b>	
		<b>G115.25.25.150.2.1/2</b>	EGTR /L 2525 R390 2C (1.9 2.9)	25	25	150	6	R390 HRN	53,00 EUR
		<b>G115.25.25.150.3.1/2</b>	EGTR / L 2525 R390 3C (2.9 3.9)	25	25	150	6	R390 HRN	53,00 EUR
		<b>G115.25.25.150.4.1/2</b>	EGTR /L 2525 R390 2C (3.9 4.9)	25	25	150	6	R390 HRN	53,00 EUR

Spare parts, parts included in delivery

Designation	Clamp	Clamping screw	Wrench	Shim	Shim screw	Spring
		CS102 (M6)	W102.1 (HK5)			

Please check availability in current price and stock list